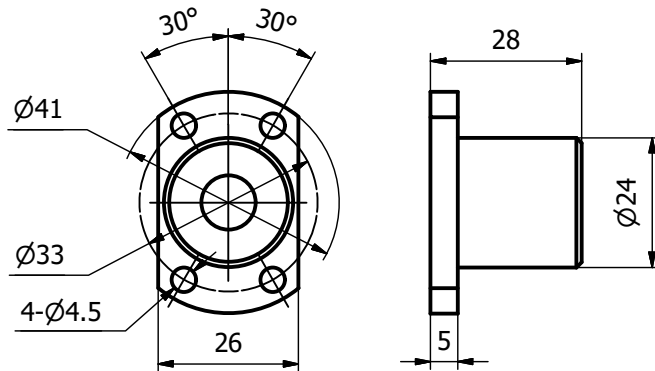
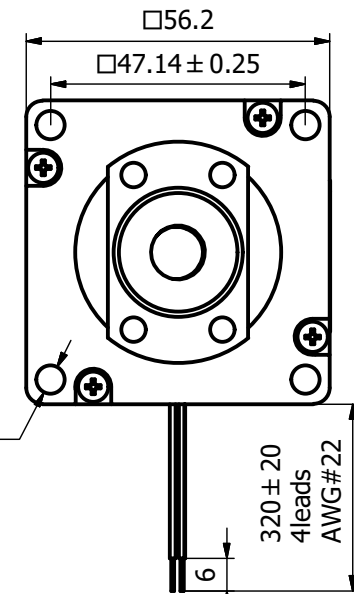
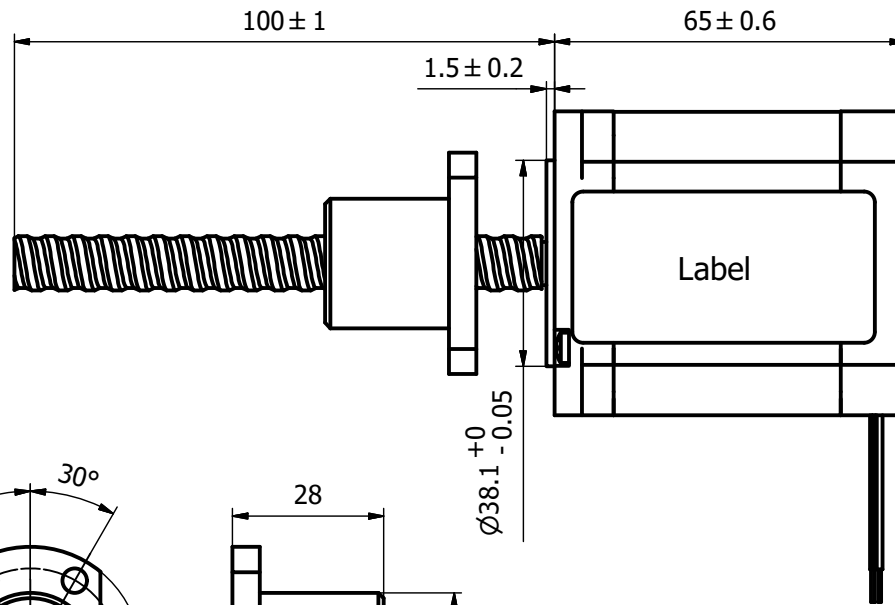
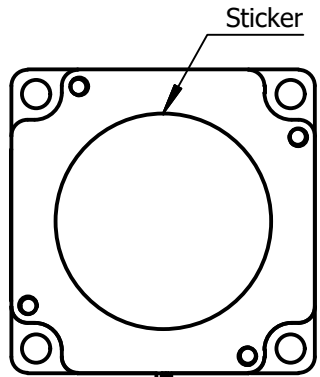


CE 23E2240BS44-100
 DINGS' MOTION
 RoHS Work order
 DATE REV00

| REVISION | | | |
|----------|------|-------------|----------|
| REV. | DATE | DESCRIPTION | DRAWN BY |



| | |
|------------------------|---------------|
| Motor's phase | 2 |
| Step angle | 1.8° |
| Rated current/phase | 4.0 A |
| Resistance/phase | 0.7Ω±10% |
| Inductance/phase | 2.0 mH±20% |
| Linear travel per step | 0.02mm/step |
| Lead screw diameter | Φ10mm |
| Lead screw lead | 4mm |
| Grade | C7(KSS) |
| Insulation class | B |
| Insulation resistance | 100MΩ(500VDC) |
| Heat rise | 80°C |
| Motor weight | 0.58 kg |

Notes,
 1.To maximize output force and life of linear actuators,
 radial load on lead screws should be avoided or be kept at a minimum.

| CUSTOMER | | NOTICE TO PERSONS RECEIVING THIS DRAWING | | | | | | | | | | | |
|--------------|--|--|--------|------|---------|--|--------|---------|-----------------------|-----------------------------|----------------------|--------------|--|
| WIRING CHART | | EXCITING SEQUENCE | | | | UNLESS OTHERWISE SPECIFIED ALL DIMENSIONS ARE IN MILLIMETERS AND TOLERANCES ARE AS BELOW PER ISO2768-ck. | | | | DRAWN Kevin DATE 2022/12/28 | | DINGS | |
| | | CW | | → | | LINEAR | | ANGULAR | | APPRVD | | | |
| | | Red A+ | + | - | 0~3 | ±0.2 | 0~10 | ±1.5° | MODEL 23E2240BS44-100 | | SIZE A3 SHEET 1 OF 1 | | |
| | | Red/wht A- | - | + | 3~6 | ±0.5 | 10~50 | ±1° | | | | | |
| | | Green B+ | | + | 6~30 | ±0.8 | 50~120 | ±30' | | | | | |
| Grn/wht B- | | - | 30~120 | ±1.5 | 120~400 | ±15' | | | | | | | |
| | | CCW | | ← | | | | | | SCALE 1: 1 | | REV 00 | |