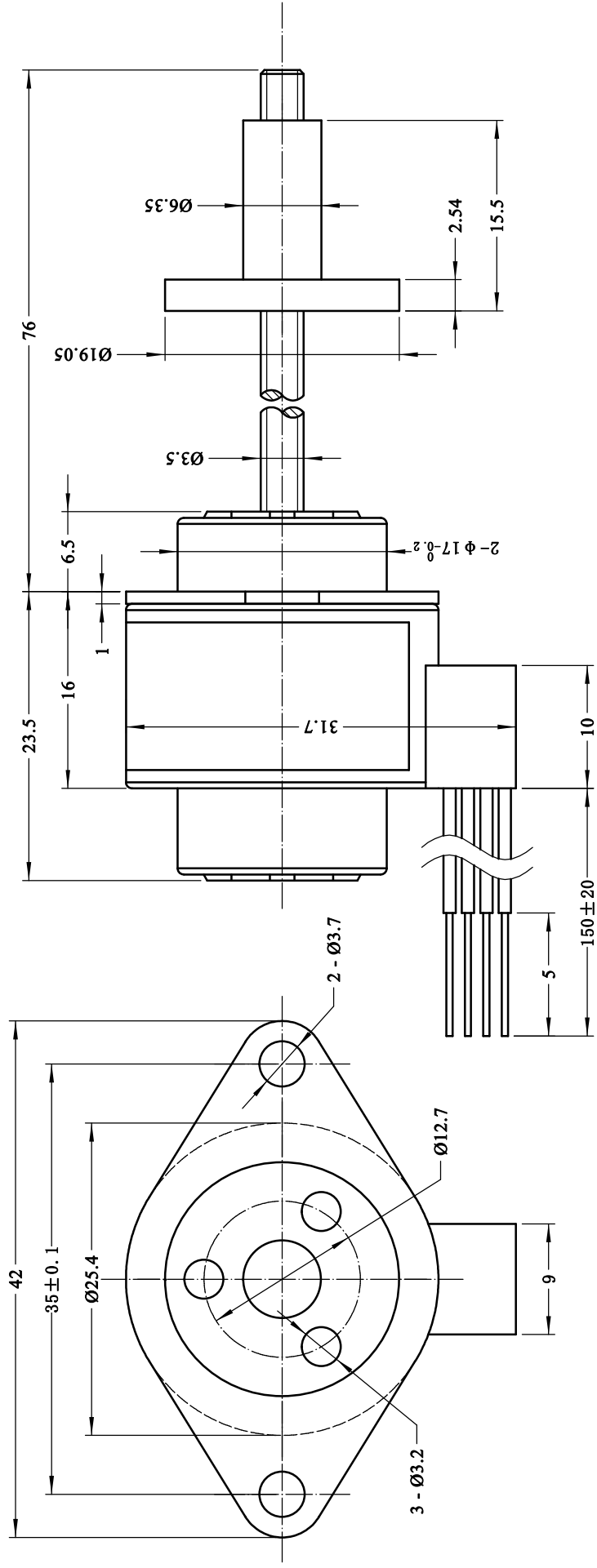


Rev	Zone	Description	By	Date
0		Initial release		
1				
2				



WIRING CHART

		RETRACT				EXTENT			
A	A'	UL1061	RED	+	-	+	-	+	-
			BLACK	-	+	-	+	-	+
B	B'	26AWG	WHITE	-	+	-	+	-	+
			GREEN	+	-	+	-	+	-
						EXTENT			

NOTICE TO PERSONS RECEIVING THIS DRAWING

THIS DRAWING IS ONLY CONDITIONALLY ISSUED, AND FOR THE SOLE PURPOSE OF INFORMING LICENSEES AND ASSOCIATE CONTRACTORS OF DRINGS, MOTION, AND VENDORS THEREOF AND CUSTOMERS THEREOF, RECEIPT OR POSSESSION THEREOF DOES NOT CONVEY TO TRANSFER ANY RIGHT IN THE SUBJECT MATTER OF THE DRAWING, THE DESIGN, CONSTRUCTION, TECHNICAL INFORMATION AND ALL OTHER SUBJECT MATTER SHOWN IN THIS DRAWING ARE AND REMAIN, EXCEPT AS MAY BE OTHERWISE INDICATED BY WRITTEN NOTICE HEREON, THE EXCLUSIVE PROPERTY OF SAID CORPORATION. THIS DRAWING MAY BE REPRODUCED ONLY BY LICENSEES AND ASSOCIATE CONTRACTORS OF SAID CORPORATION AND ONLY FOR LICENSED MANUFACTURE, AND BY VENDORS MANUFACTURING FOR SAID CORPORATION AND ONLY FOR LICENSEES AND ASSOCIATE CONTRACTORS.

UNLESS OTHERWISE SPECIFIED		DRAWN	HU	DATE
ALL DIMENSIONS ARE IN MILLIMETERS AND TOLERANCES ARE AS BELOW PER ISO 2768-MK		APPRVD		DATE
ROHS COMPLIANT				
ZINER				
0 ~ 3	+0.2			
3 ~ 6	+0.5			
6 ~ 30	+0.8			
30 ~ 120	+1.5			
ANGEUR				
0 ~ 10	±1.5°			
10 ~ 50	±1°			
50 ~ 120	±30'			
120 ~ 400	±15'			

SIZE	A4	SHEET	1 OF 1
SCALE	2:1 <td>REV</td> <td>0</td>	REV	0

E25FA

DRAWN	HU	DATE
APPRVD		DATE

