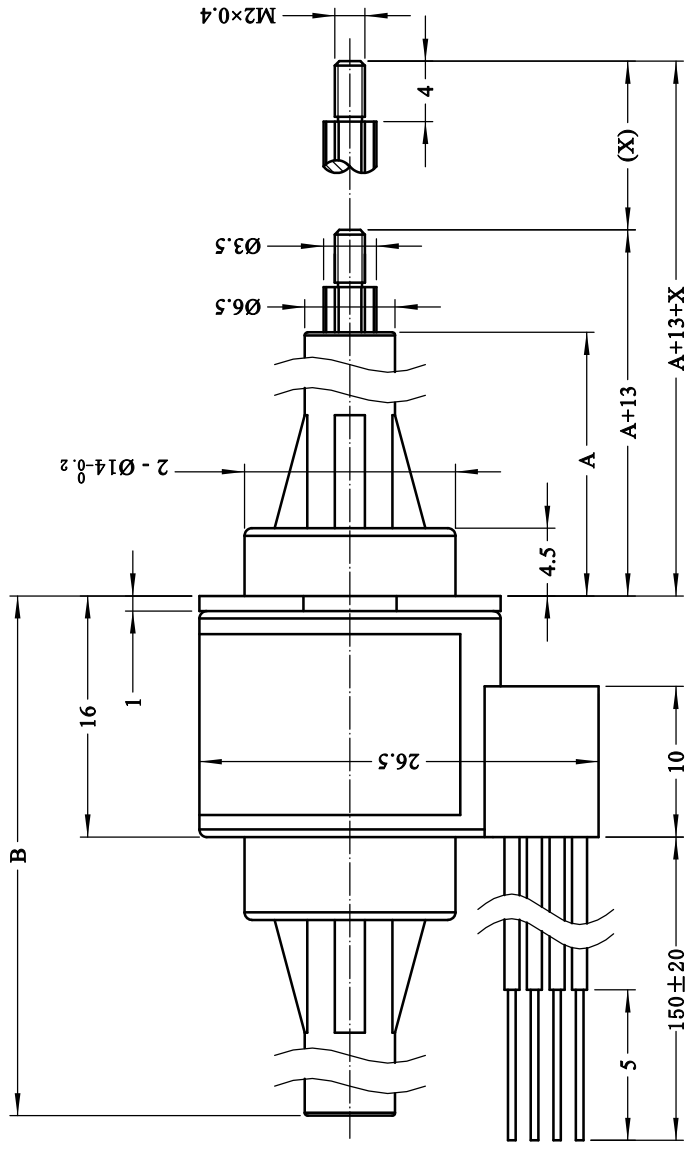
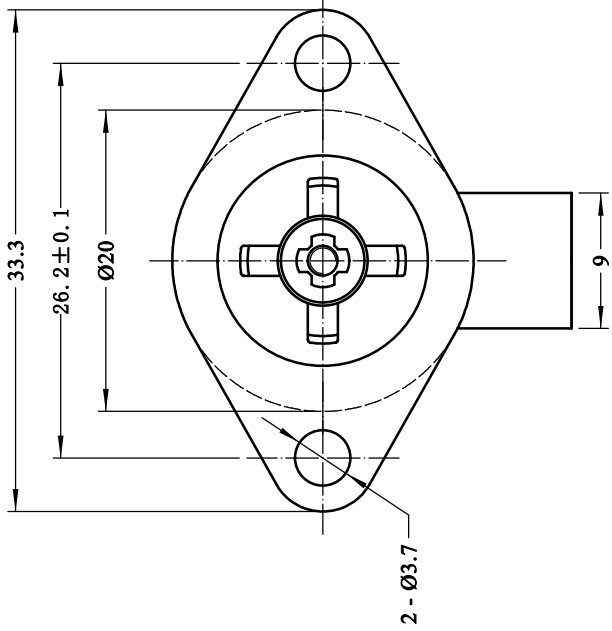


Rev	Zone	Description	By	Date
0		Initial release		
1				
2				



行程X	14	18	25	31
A	13.5	17.5	24.5	30.5
B	30.5	34.5	41.5	47.5



**WIRING CHART**

RETRACT		←		→	
RED	A	+	-	-	+
BLACK	A'	-	+	+	-
WHITE	B	+	-	-	+
GREEN	B'	-	+	+	-
EXTENT		→			
UL1061					
28AWG					

**EXCITING SEQUENCE**

DRAWN	HU	DATE	DATE
APPRVD			
MODEL			
K20PA			
SIZE	A4	SHEET	1 OF 1
SCALE	2:1	REV	0

**NOTICE TO PERSONS RECEIVING THIS DRAWING**

THIS DRAWING IS ONLY CONDITIONALLY ISSUED, AND FOR THE SOLE PURPOSE OF INFORMING LICENSEES AND ASSOCIATE CONTRACTORS OF DRUGS, MOTION, AND VENDORS THEREOF AND CUSTOMERS THEREOF, RECEIPT OR POSSESSION THEREOF DOES NOT CONFER TO TRANSFER ANY RIGHT IN THE SUBJECT MATTER OF THE DRAWING, THE DESIGN, CONSTRUCTION, TECHNICAL INFORMATION AND ALL OTHER SUBJECT MATTER SHOWN IN THIS DRAWING ARE AND REMAIN, EXCEPT AS MAY BE OTHERWISE INDICATED BY WRITTEN NOTICE HEREON, THE EXCLUSIVE PROPERTY OF SAID CORPORATION. THIS DRAWING MAY BE REPRODUCED ONLY BY LICENSEES AND ASSOCIATE CONTRACTORS OF SAID CORPORATION AND ONLY FOR LICENSED MANUFACTURE, AND BY VENDORS MANUFACTURING FOR SAID CORPORATION AND ONLY FOR LICENSEES AND ASSOCIATE CONTRACTORS.

UNLESS OTHERWISE SPECIFIED  
ALL DIMENSIONS ARE IN MILLIMETERS AND  
TOLERANCES ARE AS BELOW PER ISO2768-MS

LINEAR	ANGULAR
0 ~ 3	0 ~ 10
3 ~ 6	10 ~ 50
6 ~ 30	50 ~ 120
30 ~ 120	120 ~ 400

© Wernicke & Wernicke, Inc.

