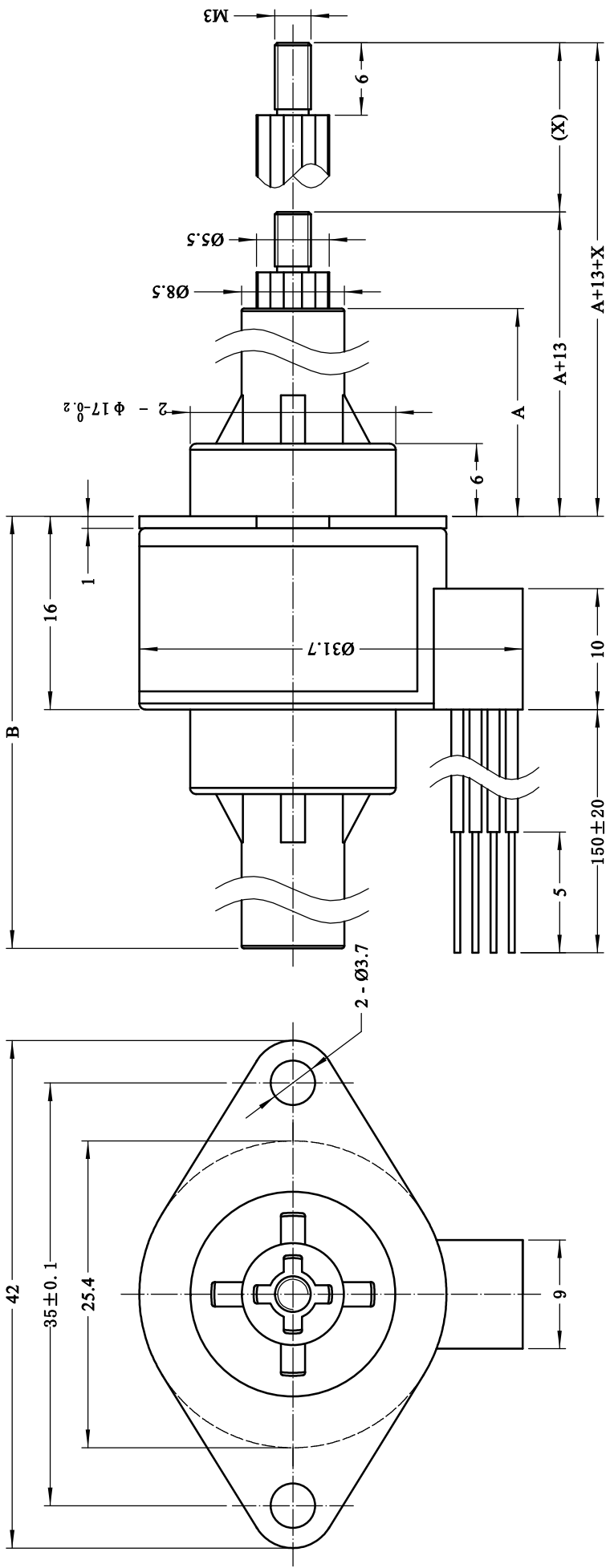


Rev	Zone	Description	By	Date
0		Initial release		
1				
2				



行程	13	18	25	31
A	10.5	15.5	22.5	28.5
B	27.5	32.5	39.5	45.5

WIRING CHART EXCITING SEQUENCE

RETRACT	←				→				
	RED A	BLACK A'	WHITE B	GREEN B'	EXTENT	RED A	BLACK A'	WHITE B	GREEN B'
UL1061	+	-	-	+	-	-	-	-	+
26AWG	+	-	-	+	-	-	-	-	+

THIS DRAWING IS ONLY CONDITIONALLY ISSUED, AND FOR THE SOLE PURPOSE OF INFORMING LICENSEES AND ASSOCIATE CONTRACTORS OF DRINGS, MOTION, AND VENDORS THEREOF AND CUSTOMERS THEREOF, RECEIPT OR POSSESSION THEREOF DOES NOT CONFER TO TRANSFER ANY RIGHT IN THE SUBJECT MATTER OF THE DRAWING, THE DESIGN, CONSTRUCTION, TECHNICAL INFORMATION AND ALL OTHER SUBJECT MATTER SHOWN IN THIS DRAWING ARE AND REMAIN, EXCEPT AS MAY BE OTHERWISE INDICATED BY WRITTEN NOTICE HEREON, THE EXCLUSIVE PROPERTY OF SAID CORPORATION. THIS DRAWING MAY BE REPRODUCED ONLY BY LICENSEES AND ASSOCIATE CONTRACTORS OF SAID CORPORATION AND ONLY FOR LICENSED MANUFACTURE, AND BY VENDORS MANUFACTURING FOR SAID CORPORATION AND ONLY FOR LICENSEES AND ASSOCIATE CONTRACTORS.

UNLESS OTHERWISE SPECIFIED		DATE	
ROHS	CE	DRAWN	HU
ALL DIMENSIONS ARE IN MILLIMETERS AND TOLERANCES ARE AS BELOW PER ISO2768-MK.			
0 ~ 3	±0.2	APPRVD	DATE
3 ~ 6	±0.5	MODEL	DATE
6 ~ 30	±0.8		
30 ~ 120	±1.5		
ANGULAR		K25FA	
0 ~ 10	±1.5°	SIZE	A4
10 ~ 50	±1°	SCALE	2:1
50 ~ 120	±30'	SHEET	1 OF 1
120 ~ 400	±15'	REV	0

