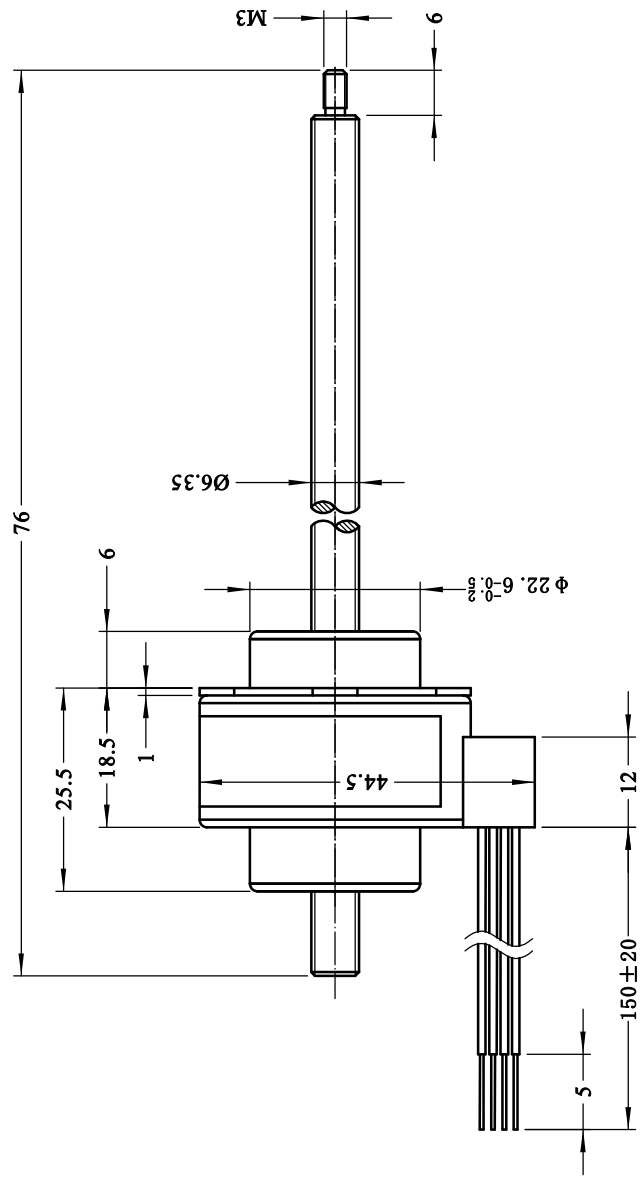
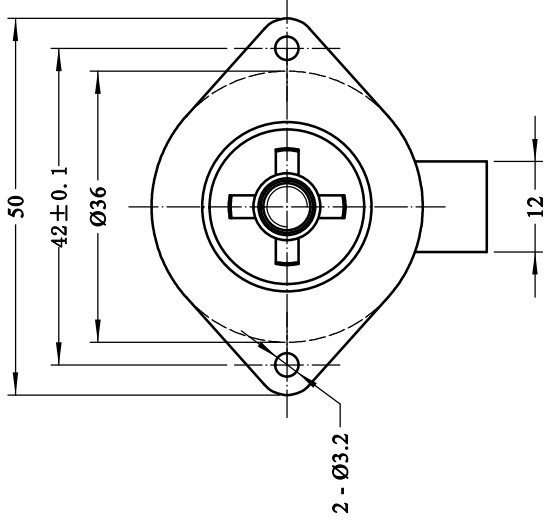


Rev	Zone	Description	By	Date
0		Initial release		
1				
2				



WIRING CHART

EXTENT	→		←	
	A	A'	B	B'
UL1061	+	-	-	+
26AWG	-	+	+	-
	+	-	-	+
	-	+	+	-
RETRACT	←		→	

EXCITING SEQUENCE

LINEAR	ANGULAR	DRAWN	HU	DATE
0 ~ 3	0 ~ 10	APPRVD		
3 ~ 6	10 ~ 50			
6 ~ 30	50 ~ 120			
30 ~ 120	120 ~ 400			

NOTICE TO PERSONS RECEIVING THIS DRAWING
 THIS DRAWING IS ONLY CONDITIONALLY ISSUED, AND FOR THE SOLE PURPOSE OF INFORMING LICENSEES AND ASSOCIATE CONTRACTORS OF DRINGS' MOTION, AND VENDORS THEREOF AND CUSTOMERS THEREOF, RECEIPT OR POSSESSION THEREOF DOES NOT CONFER TO TRANSFER ANY RIGHT IN THE SUBJECT MATTER OF THE DRAWING, THE DESIGN, CONSTRUCTION, TECHNICAL INFORMATION AND ALL OTHER SUBJECT MATTER SHOWN IN THIS DRAWING ARE AND REMAIN, EXCEPT AS MAY BE OTHERWISE INDICATED BY WRITTEN NOTICE HEREON, THE EXCLUSIVE PROPERTY OF SAID CORPORATION. THIS DRAWING MAY BE REPRODUCED ONLY BY LICENSEES AND ASSOCIATE CONTRACTORS OF SAID CORPORATION AND ONLY FOR LICENSED MANUFACTURE, AND BY VENDORS MANUFACTURING FOR SAID CORPORATION AND ONLY FOR LICENSEES AND ASSOCIATE CONTRACTORS.

SIZE	A4	SHEET	1 OF 1
SCALE	1:1	REV	0

DRAWN	HU	DATE
APPRVD		

MODEL	N36PA

