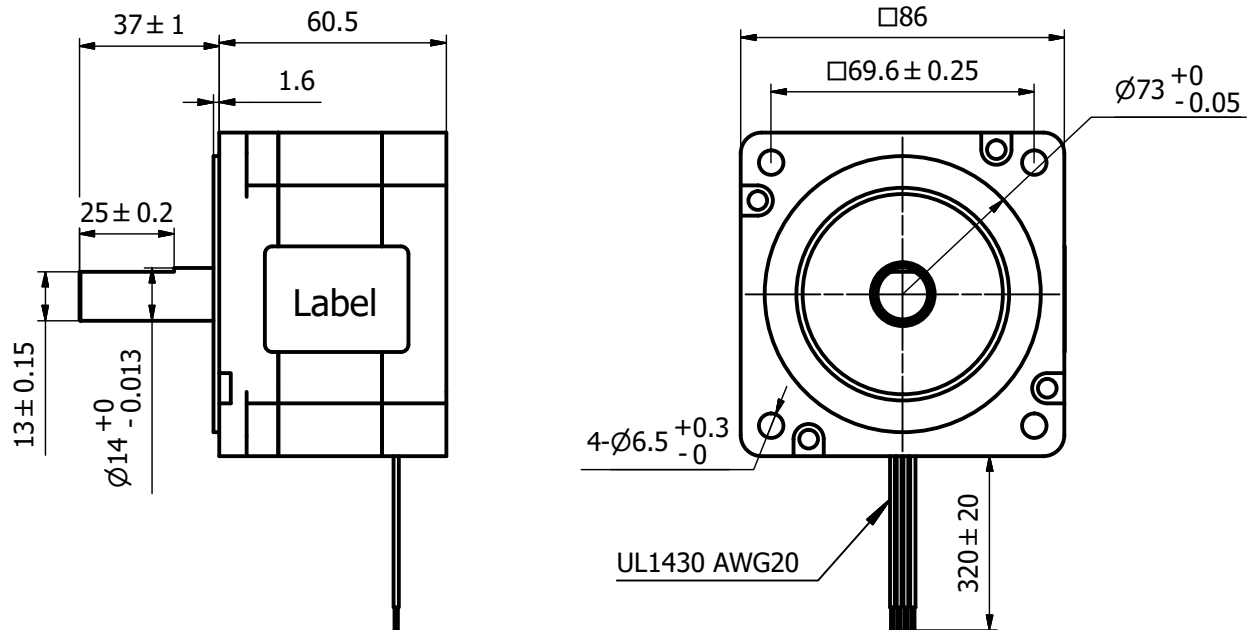


CE  
RoHS

34H2060-300-4AL  
DINGS' MOTION  
DATE

REVISION			
REV.	DATE	DESCRIPTION	DRAWN BY



Motor's phase	2
Step angle(±5%)	1.8°
Rated current/phase	4.5A
Resistance/phase(20°C)	0.6Ω±10%
Inductance/phase(1V,1kHz)	4.5mH±20%
Holding torque/2 phase	4.5N.m
Rotary inertia	1800g.cm <sup>2</sup>
Insulation class	B
Insulation resistance	100MΩ(500VDC)
Heat rise	80°C
Motor weight	2.1kg

NOTICE TO PERSONS RECEIVING THIS DRAWING  
THIS DRAWING IS ONLY CONDITIONALLY ISSUED, AND FOR THE SOLE PURPOSE OF INFORMING LICENSEES AND ASSOCIATE CONTRACTORS OF DINGS' MOTION, AND VENDORS THERETO AND CUSTOMERS THEREOF, RECEIPT OR POCESSION THEREOF DOES NOT CONFER TO TRANSFER ANY RIGHT IN THE SUBJECT MATTER OF THE DRAWING. THE DESIGN, CONSTRUCTION, TECHNICAL INFORMATION AND ALL OTHER SUBJECT MATTER SHOWN IN THIS DRAWING ARE AND REMAIN, EXCEPT AS MAY BE OTHERWISE INDICATED BY WRITTEN NOTICE HEREON, THE EXCLUSIVE PROPERTY OF SAID CORPORATION. THIS DRAWING MAY BE REPRODUCED ONLY BY LICENSEES AND ASSOCIATE CONTRACTORS OF SAID CORPORATION AND ONLY FOR LICENSED MANUFACTURE, AND BY VENDORS MANUFACTURING FOR SAID CORPORATION AND ONLY FOR LICENSEES AND ASSOCIATECONTRACTORS.

<b>CUSTOMER</b>		
<b>WIRING CHART</b>	<b>EXCITATION SEQUENCE</b>	
	CW	→
	BLK A+	+ -
	GRN A-	- +
	RED B+	+ -
	BLU B-	- +
CCW	←	

UNLESS OTHERWISE SPECIFIED ALL DIMENSIONS ARE IN MILLIMETERS AND TOLERANCES ARE AS BELOW PER ISO2768-ck.	DRAWN	Long	DATE	2022/11/28
	APPRVD		DATE	
	MODEL	34H2060-300-4AL		

**DINGS**

SIZE	A3	SHEET	1 OF 1
SCALE	1: 1	REV	00