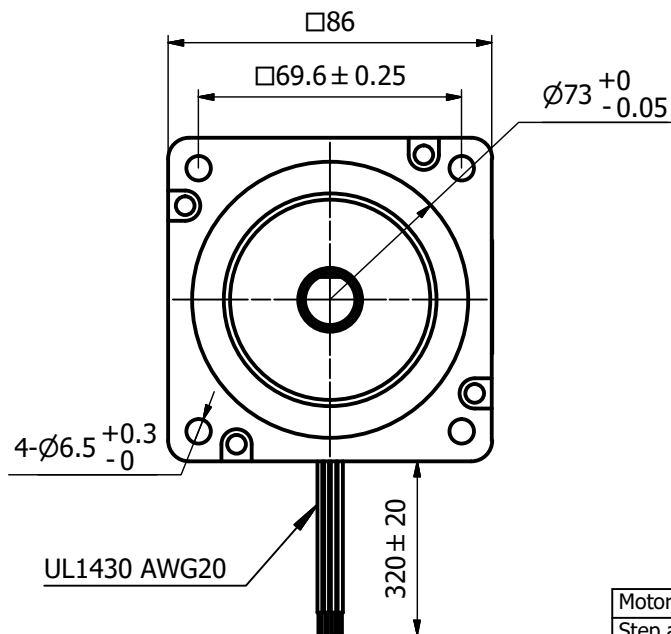
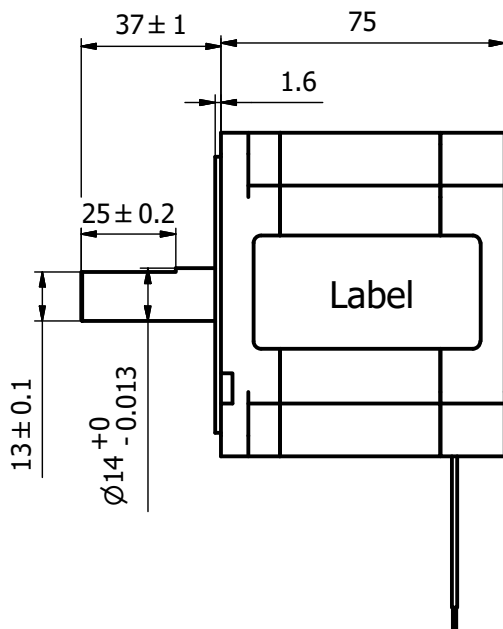


CE
RoHS

34H2075-450-4AL
DINGS' MOTION
DATE

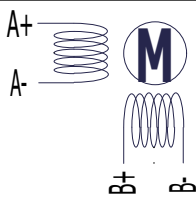
| REVISION | | | |
|----------|------|-------------|----------|
| REV. | DATE | DESCRIPTION | DRAWN BY |



| | |
|---------------------------|-----------------------|
| Motor's phase | 2 |
| Step angle(±5%) | 1.8° |
| Rated current/phase | 4.5A |
| Resistance/phase(20°C) | 0.6Ω±10% |
| Inductance/phase(1V,1kHz) | 4.5mH±20% |
| Holding torque/2 phase | 4.5N.m |
| Rotary inertia | 1800g.cm ² |
| Insulation class | B |
| Insulation resistance | 100MΩ(500VDC) |
| Heat rise | 80°C |
| Motor weight | 2.1kg |

CUSTOMER

WIRING CHART



EXCITATION SEQUENCE

| | | | | |
|--------|---|---|---|---|
| CW | → | | | |
| BLK A+ | + | | - | |
| GRN A- | - | | + | |
| RED B+ | | + | | - |
| BLU B- | | - | | + |
| CCW | ← | | | |

NOTICE TO PERSONS RECEIVING THIS DRAWING
THIS DRAWING IS ONLY CONDITIONALLY ISSUED, AND FOR THE SOLE PURPOSE OF INFORMING LICENSEES AND ASSOCIATE CONTRACTORS OF DINGS' MOTION, AND VENDORS THERETO AND CUSTOMERS THEREOF, RECEIPT OR POCESSION THEREOF DOES NOT CONFER TO TRANSFER ANY RIGHT IN THE SUBJECT MATTER OF THE DRAWING. THE DESIGN, CONSTRUCTION, TECHNICAL INFORMATION AND ALL OTHER SUBJECT MATTER SHOWN IN THIS DRAWING ARE AND REMAIN, EXCEPT AS MAY BE OTHERWISE INDICATED BY WRITTEN NOTICE HEREON, THE EXCLUSIVE PROPERTY OF SAID CORPORATION. THIS DRAWING MAY BE REPRODUCED ONLY BY LICENSEES AND ASSOCIATE CONTRACTORS OF SAID CORPORATION AND ONLY FOR LICENSED MANUFACTURE, AND BY VENDORS MANUFACTURING FOR SAID CORPORATION AND ONLY FOR LICENSEES AND ASSOCIATECONTRACTORS.

UNLESS OTHERWISE SPECIFIED ALL DIMENSIONS ARE IN MILLIMETERS AND TOLERANCES ARE AS BELOW PER ISO2768-ck.

| LINEAR | | ANGULAR | |
|--------|------|---------|-------|
| 0~3 | ±0.2 | 0~10 | ±1.5° |
| 3~6 | ±0.5 | 10~50 | ±1° |
| 6~30 | ±0.8 | 50~120 | ±30' |
| 30~120 | ±1.5 | 120~400 | ±15' |

| | | | |
|--------|------|------|------------|
| DRAWN | Long | DATE | 2022/11/28 |
| APPRVD | | DATE | |

MODEL 34H2075-450-4AL

DINGS

| | | | |
|-------|------|-------|--------|
| SIZE | A3 | SHEET | 1 OF 1 |
| SCALE | 1: 1 | REV | 00 |

