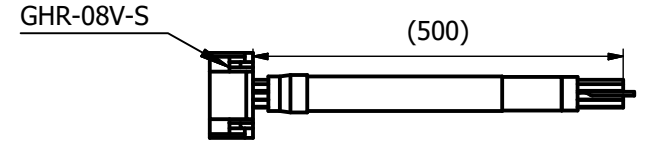
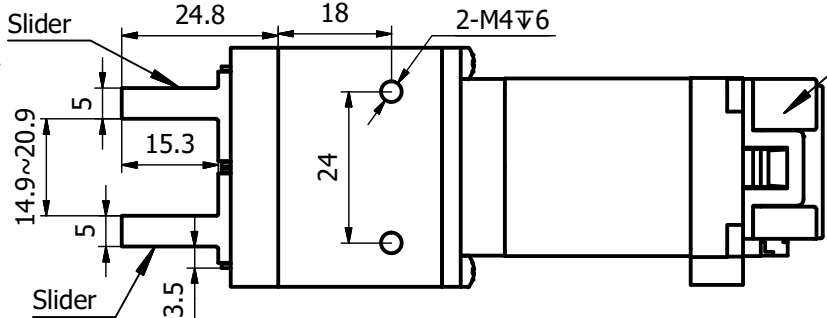
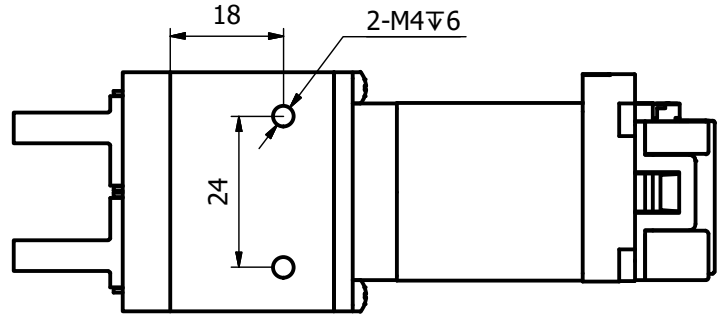
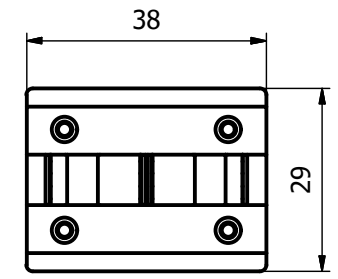
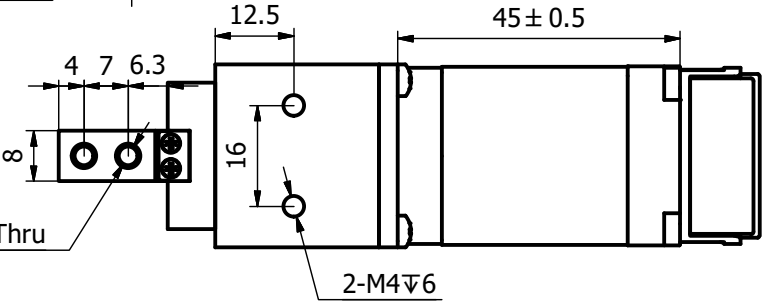
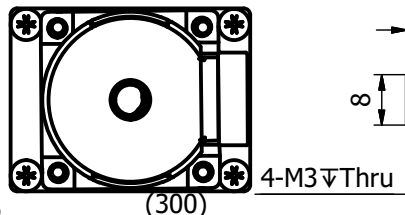


CE DMEG06-11N2210D4-KPL28D-10
RoHS DINGS' MOTION
 Work order
 DATE REV00

REVISION			
REV.	DATE	DESCRIPTION	DRAWN BY



Encoder connection		
PIN	Description	Color
1	VCC	Red
2	Ground	Black
3	A+	Green
4	A-	Brown
5	B+	White
6	B-	Gray
7	I	Yellow
8	I-	Orange



PIN	Color
1	Red
2	
3	Red/Wht
4	Green
5	
6	Grn/Wht

Motor's phase	2
Step angle	1.8°
Rated current/phase	1.0 A
Resistance/phase	4.1Ω±10%
Inductance/phase	4.0 mH±20%
Linear travel per step	0.00635mm/step
Lead screw diameter	Φ4.77mm
Lead screw lead	1.27mm
Insulation class	B
Insulation resistance	100MΩ(500VDC)
Heat rise	80°C
Motor weight	0.18 kg

Notes,
 1. To maximize output force and life of linear actuators, radial load on lead screws should be avoided or be kept at a minimum.

NOTICE TO PERSONS RECEIVING THIS DRAWING
 THIS DRAWING IS ONLY CONDITIONALLY ISSUED, AND FOR THE SOLE PURPOSE OF INFORMING LICENSEES AND ASSOCIATE CONTRACTORS OF DINGS' MOTION, AND VENDORS THERETO AND CUSTOMERS THEREOF, RECEIPT OR POSSESSION THEREOF DOES NOT CONFER TO TRANSFER ANY RIGHT IN THE SUBJECT MATTER OF THE DRAWING. THE DESIGN, CONSTRUCTION, TECHNICAL INFORMATION AND ALL OTHER SUBJECT MATTER SHOWN IN THIS DRAWING ARE AND REMAIN, EXCEPT AS MAY BE OTHERWISE INDICATED BY WRITTEN NOTICE HEREON, THE EXCLUSIVE PROPERTY OF SAID CORPORATION. THIS DRAWING MAY BE REPRODUCED ONLY BY LICENSEES AND ASSOCIATE CONTRACTORS OF SAID CORPORATION AND ONLY FOR LICENSED MANUFACTURE, AND BY VENDORS MANUFACTURING FOR SAID CORPORATION AND ONLY FOR LICENSEES AND ASSOCIATE CONTRACTORS.

CUSTOMER		WIRING CHART		EXCITING SEQUENCE	
				CCW \longrightarrow PIN1# A+ + - PIN3# A- - + PIN4# B+ + - PIN6# B- - + CW \longleftarrow	

UNLESS OTHERWISE SPECIFIED ALL DIMENSIONS ARE IN MILLIMETERS AND TOLERANCES ARE AS BELOW PER ISO2768-ck.		DRAWN	Kevin	DATE	2022/11/17
		APPRVD		DATE	
		MODEL	DMEG06-11N2210D4-KPL28D-101		
		LINEAR		ANGULAR	
0~3	±0.2	0~10	±1.5°		
3~6	±0.5	10~50	±1°		
6~30	±0.8	50~120	±30'		
30~120	±1.5	120~400	±15'		

DINGS'

SIZE	A3	SHEET	1 OF 1
SCALE	1: 1	REV	00