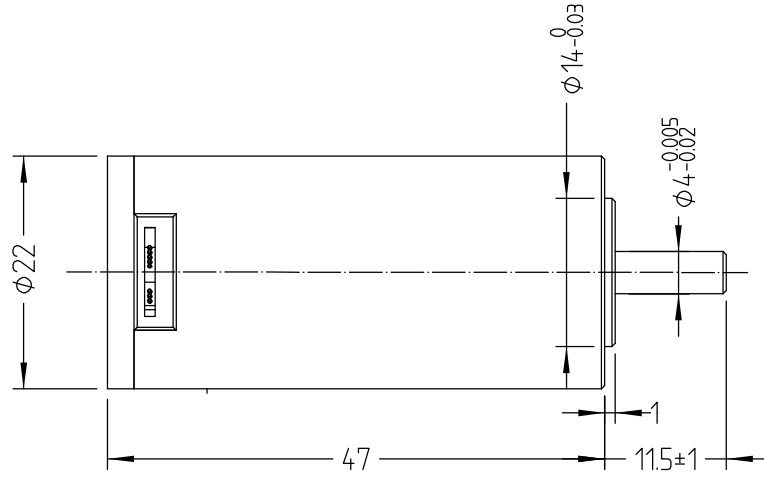
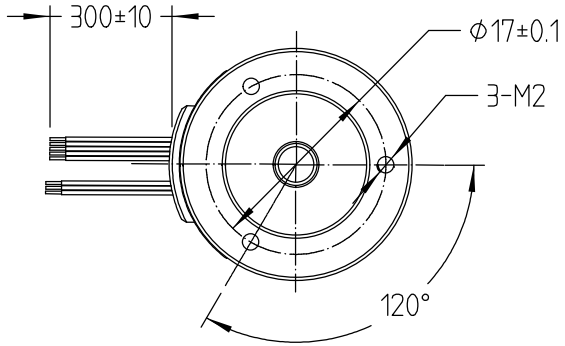


REV	DATE	DESCRIPTION	BY

22ZWC48L-1
DINGS' MOTION DATE CODE



REDUCTION RATIO	-	1	DIELECTRICAL STRENGTH	500V 1kHz 1s 1mA
POLE PAIRS	-	2	INSULATION RESISTANCE	100MΩhm 20C
RATED CURRENT	A	1.2	MOUNTING TYPE	IM B5 V1 V3
RATED SPEED	RPM	10000	DUTY TYPE	S1
RATED TORQUE	N-m	0.019	COOLING TYPE	IC410
RATED POWER	W	19.9	PROTECTION GRADE	IP40
RATED VOLTAGE	VDC	24	INSULATION CLASS	B 130C

CUSTOMER		THIS DRAWING IS ONLY CONDITIONALLY ISSUED, AND FOR THE SOLE PURPOSE OF INFORMING LICENSEES AND ASSOCIATE CONTRACTORS OF DINGS' MOTION, AND VENDORS THERETO AND CUSTOMERS THEREOF. RECEIPT OR POSSESSION THEREOF DOES NOT CONFER TO TRANSFER ANY RIGHT IN THE SUBJECT MATTER OF THE DRAWING, THE DESIGN, CONSTRUCTION, TECHNICAL INFORMATION AND ALL OTHER SUBJECT MATTER IN THIS DRAWING ARE AND REMAIN, EXCEPT AS MAY BE OTHERWISE INDICATED BY WRITTEN NOTICE HEREON, THE EXCLUSIVE PROPERTY OF SAID CORPORATION. THIS DRAWING MAY BE REPRODUCED ONLY BY LICENSEES AND ASSOCIATE CONTRACTORS OF SAID CORPORATION AND ONLY FOR LICENSED MANUFACTURE, AND BY VENDORS MANUFACTURING FOR SAID CORPORATION AND ONLY FOR LICENSEES AND ASSOCIATE CONTRACTORS.												
U V W	UL 3265	PHASE U	YEL	UL 3265	+5 VDC	RED	UNLESS OTHERWISE SPECIFIED ALL DIMENSIONS ARE IN MILLIMETERS AND TOLERANCES ARE AS BELOW	DRWN	XU	DATE	20211102		SIZE	A4
	AWG 22	PHASE V	GRN		AWG 26	HALL U		YEL	APRV		DATE			SCALE
		PHASE W	BLU	HALL V		GRN	LINEAR ANGULAR 0 - 3 ±0.2 0 - 10 ±15° 3 - 6 ±0.5 10 - 50 ±1° 6 - 30 ±1 50 - 120 ±0.5° 30 - 120 ±2 120 - 400 ±0.25°		22ZWC48L-1					
				GND	BLK									