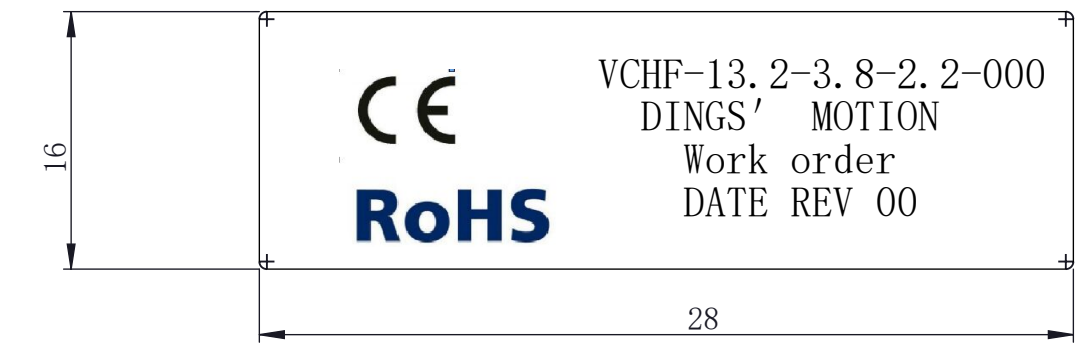
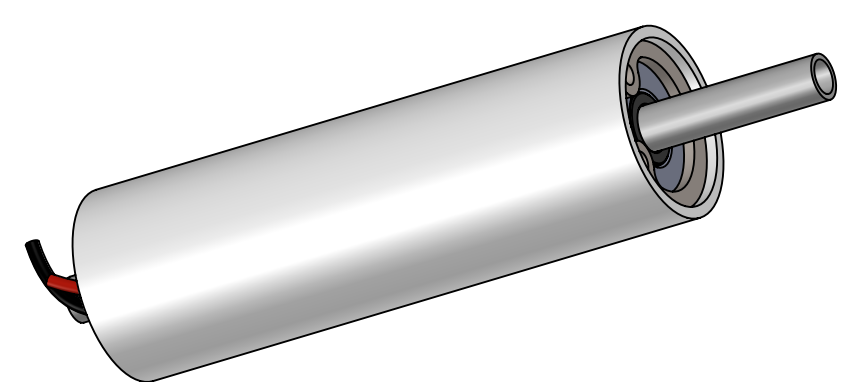
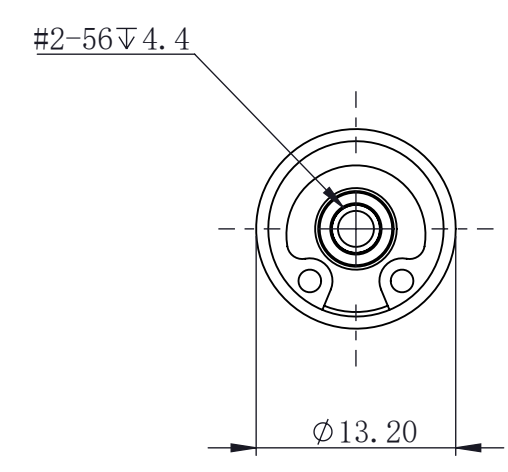
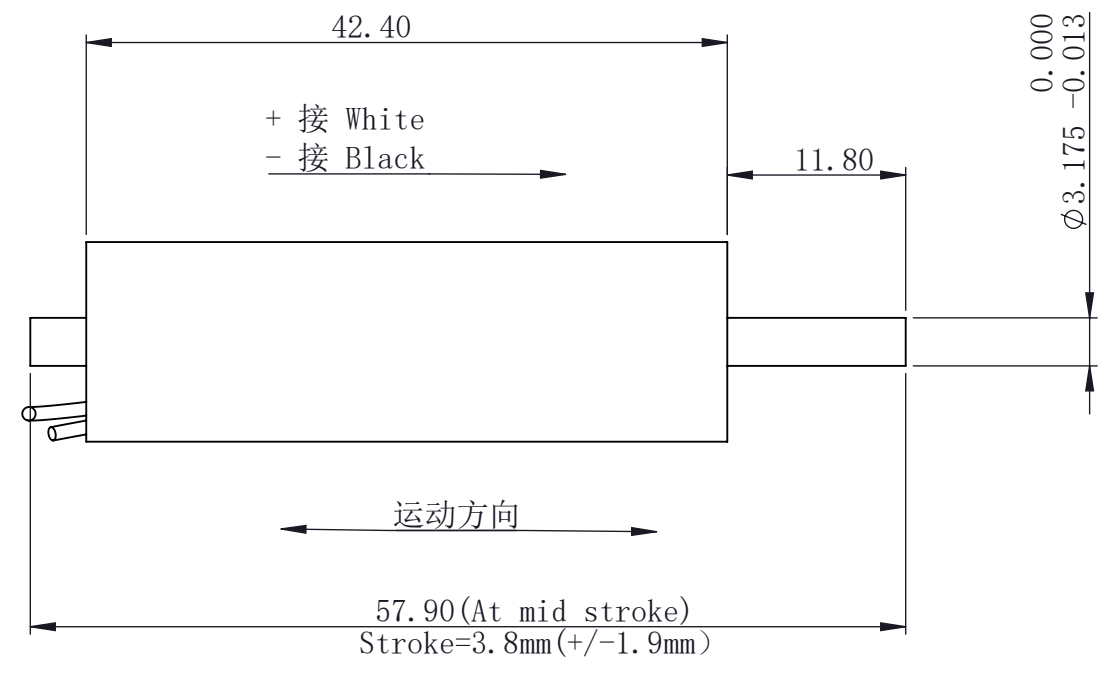
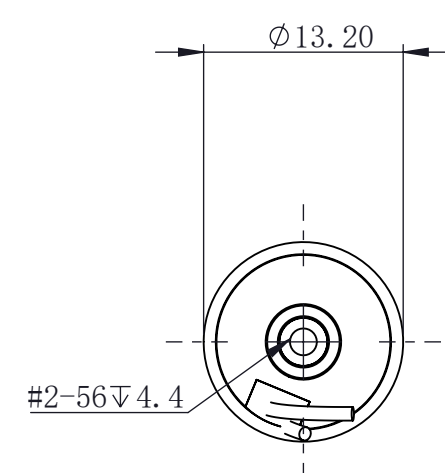


REVISION			
REV	DATE	DESCRIPTION	DRAWN BY



**CUSTOMER** ~ ~ ~

**NOTICE TO PERSONS RECEIVING THIS DRAWING**  
 THIS DRAWING IS ONLY CONDITIONALLY ISSUED, AND FOR THE SOLE PURPOSE OF INFORMING LICENSEES AND ASSOCIATE CONTRACTORS OF DINGS' MOTION, AND VENDORS THERETO AND CUSTOMERS THEREOF, RECEIPT OR POSESSION THEREOF DOES NOT CONFER TO TRANSFER ANY RIGHT IN THE SUBJECT MATTER OF THE DRAWING. THE DESIGN, CONSTRUCTION, TECHNICAL INFORMATION AND ALL OTHER SUBJECT MATTER SHOWN IN THIS DRAWING ARE AND REMAIN, EXCEPT AS MAY BE OTHERWISE INDICATED BY WRITTEN NOTICE HEREON, THE EXCLUSIVE PROPERTY OF SAID CORPORATION. THIS DRAWING MAY BE REPRODUCED ONLY BY LICENSEES AND ASSOCIATE CONTRACTORS OF SAID CORPORATION AND ONLY FOR LICENSED MANUFACTURE, AND BY VENDORS MANUFACTURING FOR SAID CORPORATION AND ONLY FOR LICENSEES AND ASSOCIATE CONTRACTORS.

**WIRING CHART**

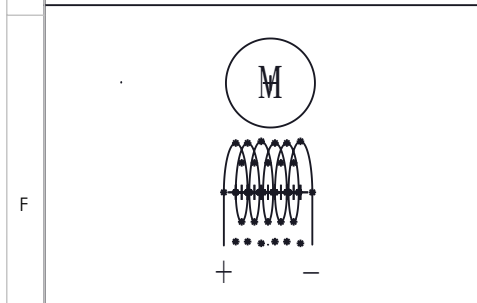
**EXCITING SEQUENCE**

UP	←	
White +	+	-
Black -	-	+
DOWN	→	

UNLESS OTHERWISE SPECIFIED ALL DIMENSIONS ARE IN MILLIMETERS AND TOLERANCES ARE AS BELOW PER ISO2768-cK.

LINEAR		ANGLUR	
0~3	±0.2	0~10	±1.5°
3~6	±0.5	10~50	±1°
6~30	±0.8	50~120	±30'
30~120	±1.5	120~400	±15'

DRAWN	QHF	DATE	20250326
APPRVD		DATE	

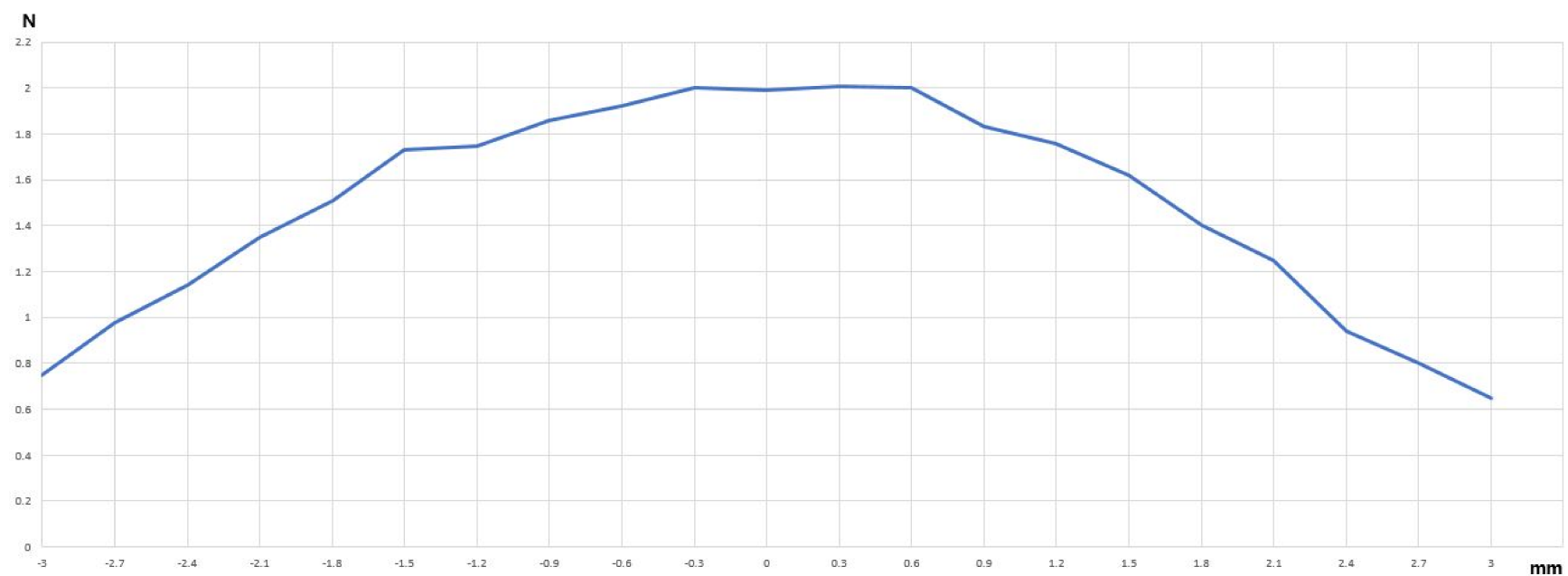


MODEL VCHF-13.2-3.8-2.2-000

SIZE	A3	SHEET	1 OF 2	
SCALE	Free	REV	00	

### TECHNICAL PARAMETERS

Stroke 行程	3.8mm
Back EMF constant 反电动势常数	3.2 V/m/s
Continuous force 持续推力	2.2N
Intermittent force@10% duty cycle最大推力	6.7N
Force constant 推力常数	3.2 N/A
Resistance/phase 相电阻	3.5Ω ± 10%
Inductance/phase 相电感	0.25mH ± 20%
Continuous current(coil at 100° C)持续电流	0.7A
Current @ 10% Duty最大电流	2.1A
Insulation calss 绝缘等级	B
Electrical Time Constant电气时间常数	0.07ms
Motor Constant电机常数	1.69N/sqrt (watt)
Power @ 100% Duty持续热功率	2W
Power @ 10% Duty最大热功率	16W
Insuration resistance 绝缘电阻	100MΩ(500VDC)
Max coil temperature 最高温度	100°C
Moving mass移动重量	12g
Total mass 总重量	49g



**CUSTOMER**



**NOTICE TO PERSONS RECEIVING THIS DRAWING**  
 THIS DRAWING IS ONLY CONDITIONALLY ISSUED, AND FOR THE SOLE PURPOSE OF INFORMING LICENSEES AND ASSOCIATE CONTRACTORS OF DINGS' MOTION, AND VENDORS THERETO AND CUSTOMERS THEREOF, RECEIPT OR POSESSION THEREOF DOES NOT CONFER TO TRANSFER ANY RIGHT IN THE SUBJECT MATTER OF THE DRAWING. THE DESIGN, CONSTRUCTION, TECHNICAL INFORMATION AND ALL OTHER SUBJECT MATTER SHOWN IN THIS DRAWING ARE AND REMAIN, EXCEPT AS MAY BE OTHERWISE INDICATED BY WRITTEN NOTICE HEREON, THE EXCLUSIVE PROPERTY OF SAID CORPORATION. THIS DRAWING MAY BE REPRODUCED ONLY BY LICENSEES AND ASSOCIATE CONTRACTORS OF SAID CORPORATION AND ONLY FOR LICENSED MANUFACTURE, AND BY VENDORS MANUFACTURING FOR SAID CORPORATION AND ONLY FOR LICENSEES AND ASSOCIATE CONTRACTORS.

**WIRING CHART**

**EXCITING SEQUENCE**



UP	←	
White +	+	-
Black -	-	+
DOWN	→	

UNLESS OTHERWISE SPECIFIED ALL DIMENSIONS ARE IN MILLIMETERS AND TOLERANCES ARE AS BELOW PER ISO2768-cK.

LINEAR		ANGLUR	
0~3	±0.2	0~10	±1.5°
3~6	±0.5	10~50	±1°
6~30	±0.8	50~120	±30'
30~120	±1.5	120~400	±15'

DRAWN	QHF	DATE	20250326
APPRVD		DATE	

**DINGS**

MODEL VCHF-13.2-3.8-2.2-000

SIZE	A3	SHEET	2 OF 2	
SCALE	Free	REV	00	