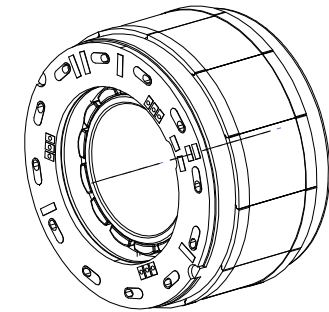
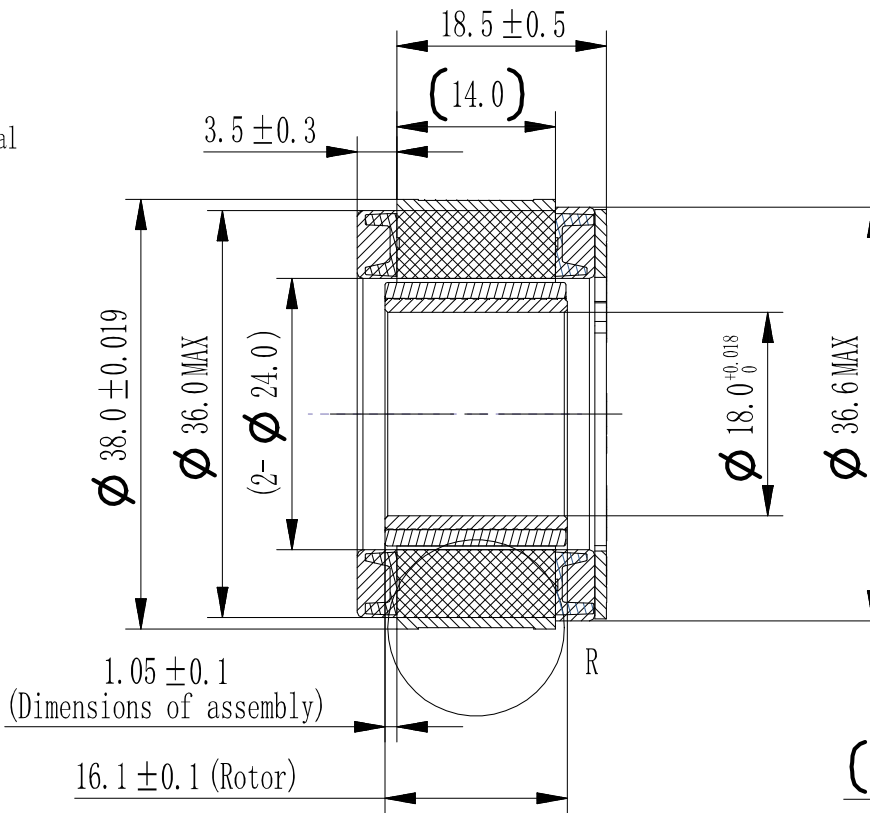
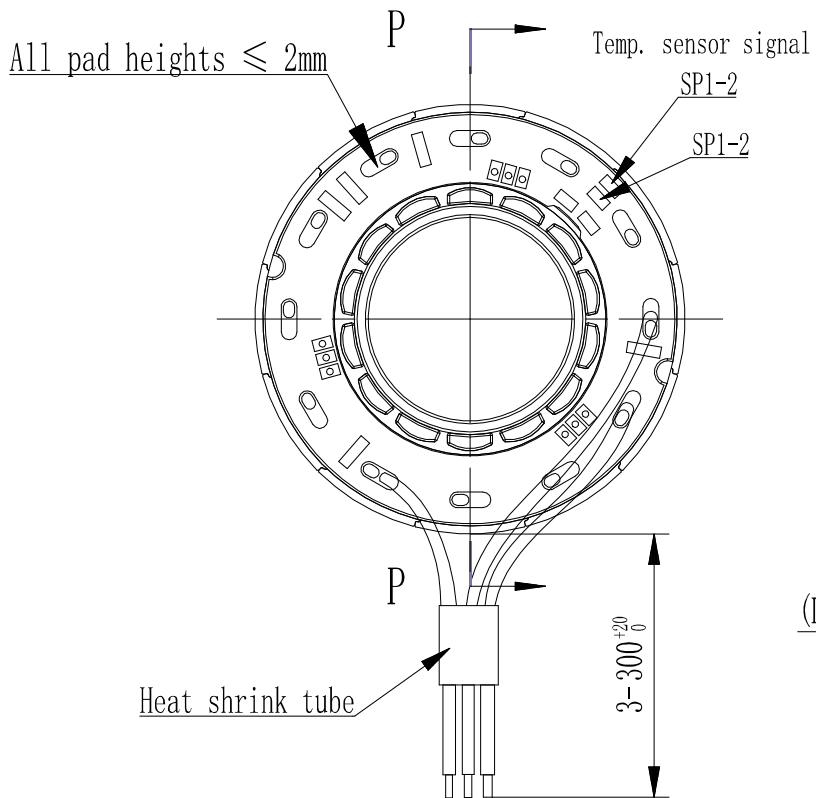
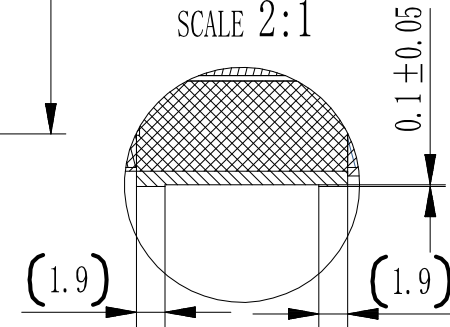


|     |          |                 |         |
|-----|----------|-----------------|---------|
| REV | DATE     | DESCRIPTION     | BY      |
| 00  | 20260525 | INITIAL RELEASE | LIU JIN |

38ZWC22X-7  
DINGS' MOTION XXXXXXXXX



DETAIL R  
SCALE 2:1



NOTES:

- The peak torque in the list is based on the steady state test of the motor at room temperature;
- The motor performance parameters in the list are based on the open-loop drive of DINGS' Company.

|               |     |             |                       |                                |
|---------------|-----|-------------|-----------------------|--------------------------------|
| RATED VOLTAGE | VDC | 48          | DIELECTRICAL STRENGTH | 1200V 50Hz 1s 3mA              |
| RATED TORQUE  | N-m | 0.23        | INSULATION RESISTANCE | 50M0hm 20°C                    |
| RATED SPEED   | RPM | 10190 ± 10% | MOUNTING TYPE         | -                              |
| RATED CURRENT | A   | 6.1 ± 10%   | DUTY TYPE             | S2                             |
| PEAK POWER    | W   | 240         | COOLING TYPE          | IC410                          |
| PEAK TORQUE   | N-m | 0.76        | PROTECTION GRADE      | IP00                           |
| POLE PAIRS    | -   | 7           | INSULATION CLASS      | F                              |
| WEIGHT        | g   | /           | ROTOR INERTIA         | 0.0305 kgcm <sup>2</sup> (REF) |

THIS DRAWING IS ONLY CONDITIONALLY ISSUED, AND FOR THE SOLE PURPOSE OF INFORMING LICENSEES AND ASSOCIATE CONTRACTORS OF DINGS' MOTION, AND VENDORS THERE TO AND CUSTOMERS THEREOF, RECEIPT OR POSSESSION THEREOF DOES NOT CONFER TO TRANSFER ANY RIGHT IN THE SUBJECT MATTER OF THE DRAWING, THE DESIGN, CONSTRUCTION, TECHNICAL INFORMATION AND ALL OTHER SUBJECT MATTER IN THIS DRAWING ARE AND REMAIN, EXCEPT AS MAY BE OTHERWISE INDICATED BY WRITTEN NOTICE HEREON, THE EXCLUSIVE PROPERTY OF SAID CORPORATION. THIS DRAWING MAY BE REPRODUCED ONLY BY LICENSEES AND ASSOCIATE CONTRACTORS OF SAID CORPORATION AND ONLY FOR LICENSED MANUFACTURE, AND BY VENDORS MANUFACTURING FOR SAID CORPORATION AND ONLY FOR LICENSEES AND ASSOCIATE CONTRACTORS.

|  |      |           |        |
|--|------|-----------|--------|
| UNLESS OTHERWISE SPECIFIED<br>ALL DIMENSIONS ARE IN MILLIMETERS<br>AND TOLERANCES ARE AS BELOW |      |           |        |
| LINEAR   |      | ANGULAR   |        |
| 0 - 3  | ±0.2 | 0 - 10    | ±1.5°  |
| 3 - 6  | ±0.5 | 10 - 50   | ±1°    |
| 6 - 30   | ±1   | 50 - 120  | ±0.5°  |
| 30 - 120   | ±2   | 120 - 400 | ±0.25° |

|      |    |      |          |
|------|----|------|----------|
| DRWN | 刘进 | DATE | 20260525 |
| APRV |    | DATE |          |

DINGS' 鼎智

38ZWC22X-7

|       |     |  |
|-------|-----|--|
| SIZE  | A4  |  |
| SCALE | 1:1 |  |

|   |                  |         |        |
|---|------------------|---------|--------|
| - | Motor Lead wires |         |        |
| U | UL1332<br>20AWG  | PHASE U | YELLOW |
| V |                  | PHASE V | RED    |
| W |                  | PHASE W | BLACK  |