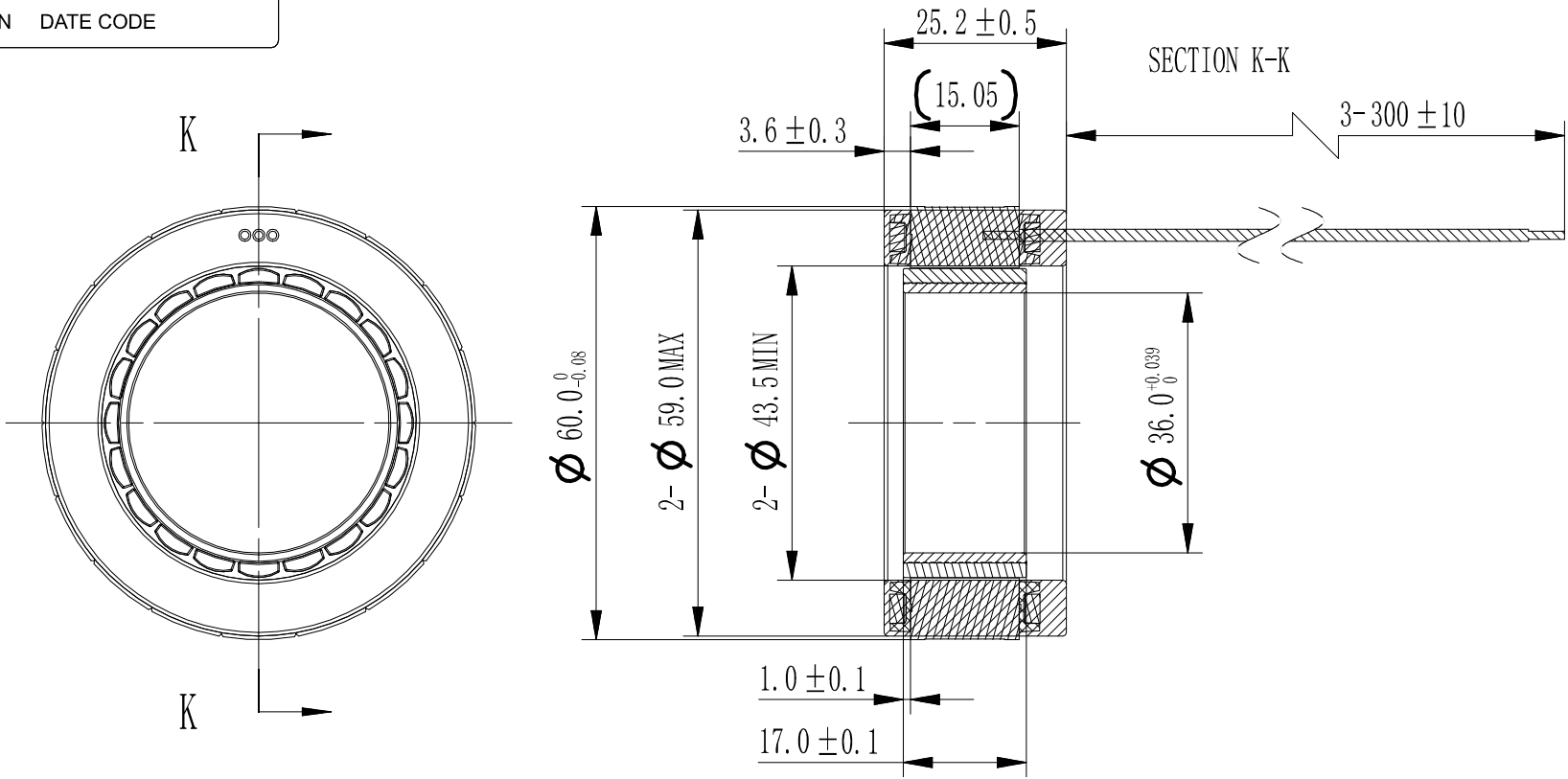


REV	DATE	DESCRIPTION	BY
00	20260415	INITIAL RELEASE	LIU JIN

60ZWC25X-1  
DINGS' MOTION DATE CODE



NOTES:

- The peak torque in the list is based on the steady state test of the motor at room temperature;
- The motor performance parameters in the list are based on the open-loop drive of DINGS' Company.

RATED VOLTAGE	VDC	48	DIELECTRICAL STRENGTH	1200V 50Hz 1s 3mA
RATED TORQUE	N-m	0.6	INSULATION RESISTANCE	50MΩm 20°C
RATED SPEED	RPM	3250 ± 10%	MOUNTING TYPE	-
RATED CURRENT	A	5.1 ± 10%	DUTY TYPE	S2
RATED POWER	W	205	COOLING TYPE	IC410
PEAK TORQUE	N-m	1.8	PROTECTION GRADE	IP00
POLE PAIRS	-	10	INSULATION CLASS	F
WEIGHT	g	180 (REF)	ROTOR INERTIA	0.122 kgcm <sup>2</sup> (REF)

CUSTOMER	Motor Lead wires			
U	UL1332 20AWG	PHASE U	YELLOW	
V		PHASE V	RED	
W		PHASE W	BLACK	

THIS DRAWING IS ONLY CONDITIONALLY ISSUED, AND FOR THE SOLE PURPOSE OF INFORMING LICENSEES AND ASSOCIATE CONTRACTORS OF DINGS' MOTION, AND VENDORS THEREOF AND CUSTOMERS THEREOF, RECEIPT OR POSSESSION THEREOF DOES NOT CONFER ANY RIGHT IN THE SUBJECT MATTER OF THE DRAWING. THE DESIGN, CONSTRUCTION, TECHNICAL INFORMATION AND ALL OTHER SUBJECT MATTER IN THIS DRAWING ARE AND REMAIN, EXCEPT AS MAY BE OTHERWISE INDICATED BY WRITTEN NOTICE HEREON, THE EXCLUSIVE PROPERTY OF SAID CORPORATION. THIS DRAWING MAY BE REPRODUCED ONLY BY LICENSEES AND ASSOCIATE CONTRACTORS OF SAID CORPORATION AND ONLY FOR LICENSED MANUFACTURE, AND BY VENDORS MANUFACTURING FOR SAID CORPORATION AND ONLY FOR LICENSEES AND ASSOCIATE CONTRACTORS.

UNLESS OTHERWISE SPECIFIED ALL DIMENSIONS ARE IN MILLIMETERS AND TOLERANCES ARE AS BELOW		DRWN	LIU JIN	DATE	20260415		
		APRV		DATE			
LINEAR		60ZWC25X-1				SIZE	A4
0 - 3	±0.2	0 - 10	±1.5°			SCALE	1:1
3 - 6	±0.5	10 - 50	±1°				
6 - 30	±1	50 - 120	±0.5°				
30 - 120	±2	120 - 400	±0.25°				