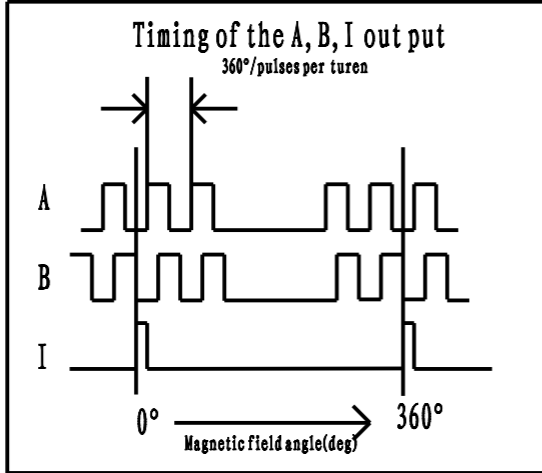
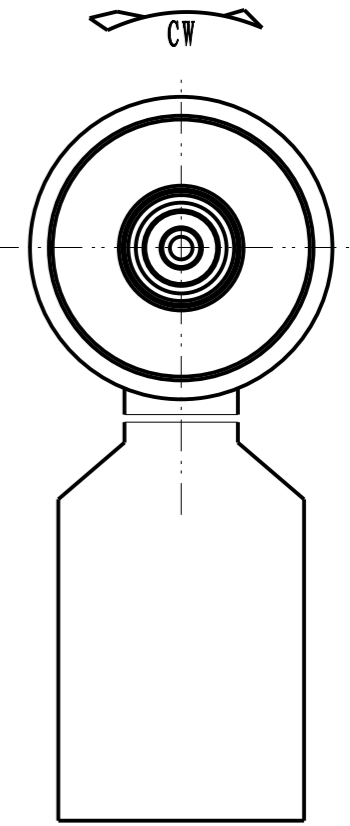
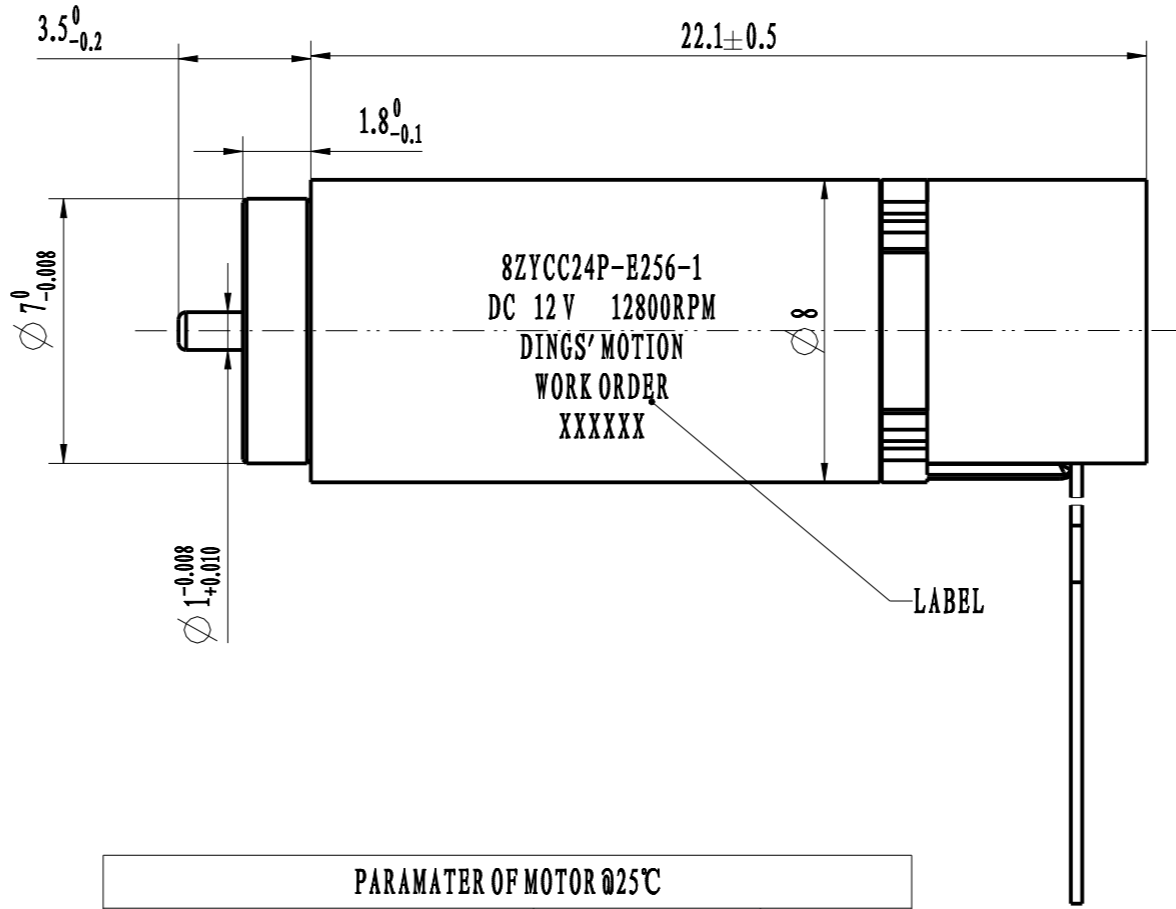
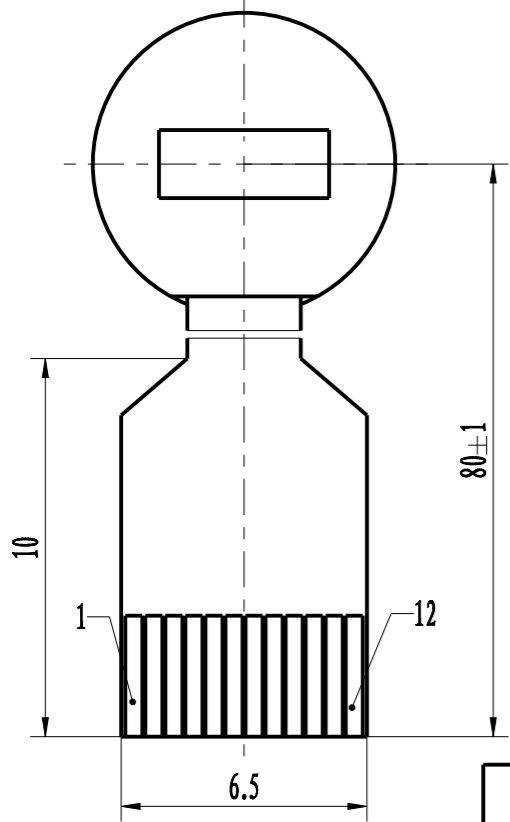


REVISION			
REV.	DATE	DESCRIPTION	DRAWN BY

8ZYCC24P-E256-1
DC 12V 12800 RPM
DINGS' MOTION
WORK ORDER
XXXXXX



PARAMETER OF MOTOR @25°C		
SUPPLIER VOLTAGE	12	V/DC
ROTATION(VIEWED FROM SHIFT END)	CW	
NO LOAD SPEED(REF)	12800±10%	RPM
NO LOAD CURRENT(REF)	≤6	mA
LOAD SPEED(REF)	6300±10%	RPM
LOAD CURRENT(REF)	≤80	mA
TORQUE	0.6	mN.M
POWER	395	mW
WITHSTAND VILATGE	100V AC/50HZ/5mA/1S	
INSULATION RESISTANCE	100/100V	MΩ

WIRING DIAGRAM	
PIN1	MOTOR+
PIN2	MOTOR-
PIN3	NC
PIN4	GND
PIN5	Vcc
PIN6	A
PIN7	B
PIN8	I
PIN9	-
PIN10	-
PIN11	-
PIN12	-

ENCODER		
TYPE	MAGNETIC ENCODE	
NUMBER OF CHANNELS	3	
VOLTAGE	3.3±10%	V
COUNTS PER TURN	2	POLE
OUTPUT CURRENT	-4...4	mA
OUTPUT SIGNAL	INC	
DIRECTION OF ROTATION	A BEFORE B CW	
COUNTS PER TURN	256	
OPERATING TEMPERATURE RANGE	-40°C ~ 100°C	
OUTPUT SIGNAL DRIVER	Single Ended CMOS	

CUSTOMER	
WIRING CHART	Line color line sequence

NOTICE TO PERSONS RECEIVING THIS DRAWING
THIS DRAWING IS ONLY CONDITIONALLY ISSUED, AND FOR THE SOLE PURPOSE OF INFORMING LICENSEES AND ASSOCIATE CONTRACTORS OF DINGS' MOTION, AND VENDORS THERE TO AND CUSTOMERS THERE OF, RECEIPT OR POSSESSION THERE OF DOES NOT CONFERTO TRANSFER ANY RIGHT IN THE SUBJECT MATTER OF THE DRAWING. THE DESIGN, CONSTRUCTION, TECHNICAL INFORMATION AND ALL OTHER SUBJECT MATTER SHOWN IN THIS DRAWING ARE AND REMAIN, EXCEPT AS MAY BE OTHERWISE INDICATED BY WRITTEN NOTICE HERON, THE EXCLUSIVE PROPERTY OF SAID CORPORATION. THIS DRAWING MAY BE REPRODUCED ONLY BY LICENSEES AND ASSOCIATE CONTRACTORS OF SAID CORPORATION AND ONLY FOR LICENSED MANUFACTURE, AND BY VENDORS MANUFACTURING FOR SAID CORPORATION AND ONLY FOR LICENSEES AND ASSOCIATE CONTRACTORS.

UNLESS OTHERWISE SPECIFIED ALL DIMENSIONS ARE IN MILLIMETERS AND TOLERANCES ARE AS BELOW				DRAWN	Chen	DATE	20251222
LINERA		ANGULAR		CHECK		DATE	
0~3	±0.2	0~10	±1.5°	APPRVD		DATE	
3~6	±0.5	10~50	±1°	COUNTERSIGN		DATE	
6~30	±0.8	50~120	±30'	MODEL	8ZYCC24P-E256-1		
30~120	±1.5	120~400	±15'				

DINGS'

SIZE	A3	SHEET	1/1
SCALE	3:1	REV	A