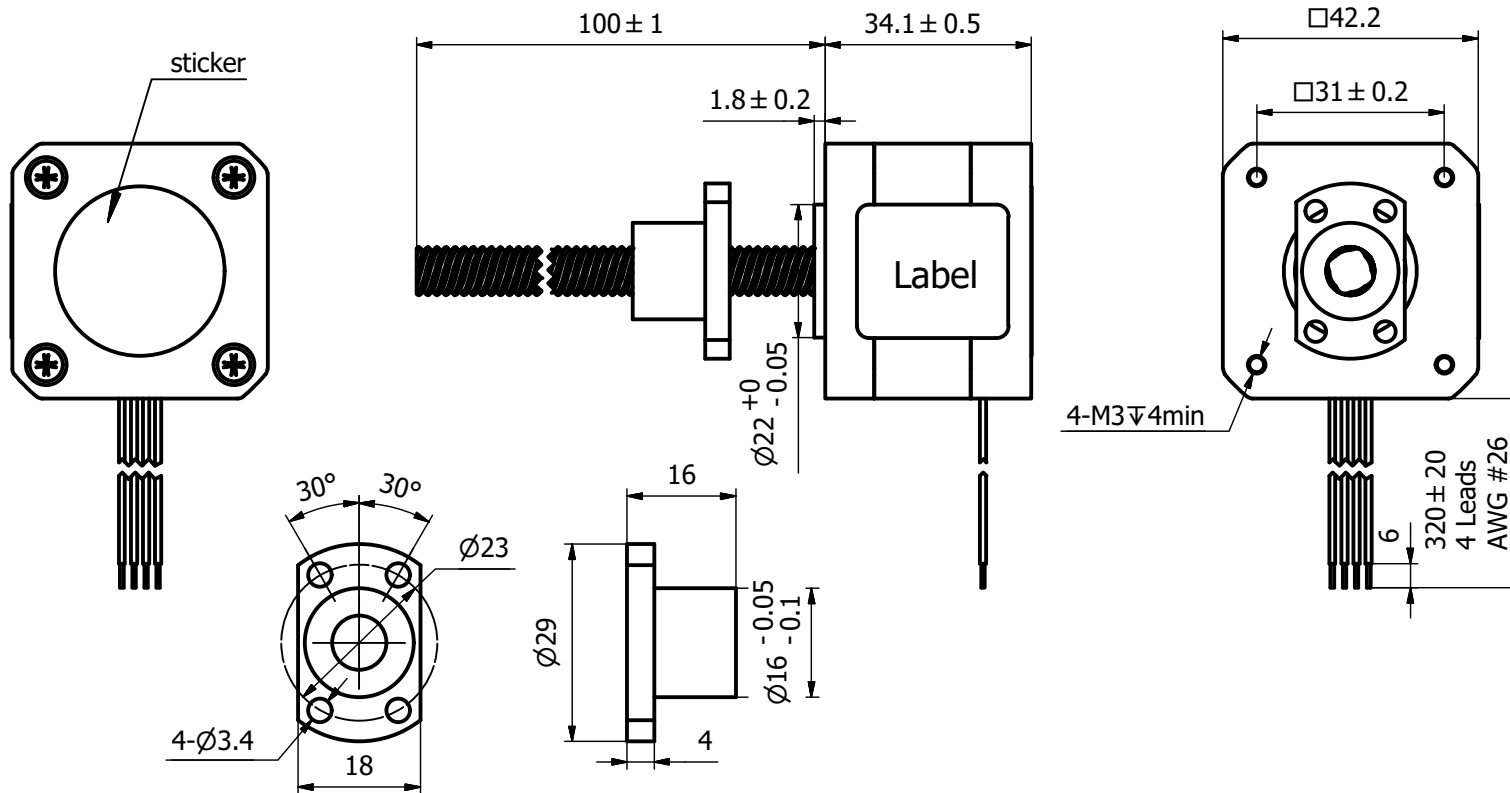


CE  
RoHS

17E2110BS2.54-100  
DINGS' MOTION  
Work order  
DATE REV00

REVISION			
REV.	DATE	DESCRIPTION	DRAWN BY



Motor's phase	2
Step angle	1.8°
Rated current/phase	1.0 A
Resistance/phase	3.8Ω ± 10%
Inductance/phase	5.0mH ± 20%
Linear travel per step	0.0125mm/step
Ball screw diameter	Φ8.0mm
Ball screw lead	2.5mm
Grade	C7(KSS)
Insulation class	B
Insulation resistance	100MΩ(500VDC)
Heat rise	80°C
Motor weight	0.25 kg

**Notes,**  
1. To maximize output force and life of linear actuators, radial load on lead screws should be avoided or be kept at a minimum.

CUSTOMER		NOTICE TO PERSONS RECEIVING THIS DRAWING											
WIRING CHART		THIS DRAWING IS ONLY CONDITIONALLY ISSUED, AND FOR THE SOLE PURPOSE OF INFORMING LICENSEES AND ASSOCIATE CONTRACTORS OF DINGS' MOTION, AND VENDORS THERETO AND CUSTOMERS THEREOF, RECEIPT OR POSSESSION THEREOF DOES NOT CONFER TO TRANSFER ANY RIGHT IN THE SUBJECT MATTER OF THE DRAWING. THE DESIGN, CONSTRUCTION, TECHNICAL INFORMATION AND ALL OTHER SUBJECT MATTER SHOWN IN THIS DRAWING ARE AND REMAIN, EXCEPT AS MAY BE OTHERWISE INDICATED BY WRITTEN NOTICE HEREON, THE EXCLUSIVE PROPERTY OF SAID CORPORATION. THIS DRAWING MAY BE REPRODUCED ONLY BY LICENSEES AND ASSOCIATE CONTRACTORS OF SAID CORPORATION AND ONLY FOR LICENSED MANUFACTURE, AND BY VENDORS MANUFACTURING FOR SAID CORPORATION AND ONLY FOR LICENSEES AND ASSOCIATE CONTRACTORS.											
EXCITATION SEQUENCE		CW		→		DRAWN		QIN		DATE		2022/12/28	
Red A+		+		-		APPRVD				DATE			
Red/wht A-		-		+		MODEL		17E2110BS2.54-100		SIZE		A3 SHEET 1 OF 1	
Green B+		+		-		LINEAR		ANGULAR		SCALE		1: 1 REV 00	
Grn/wht B-		-		+		0~3		±0.2		0~10		±1.5°	
CCW		←				3~6		±0.5		10~50		±1°	
						6~30		±0.8		50~120		±30'	
						30~120		±1.5		120~400		±15'	

**DINGS'**

