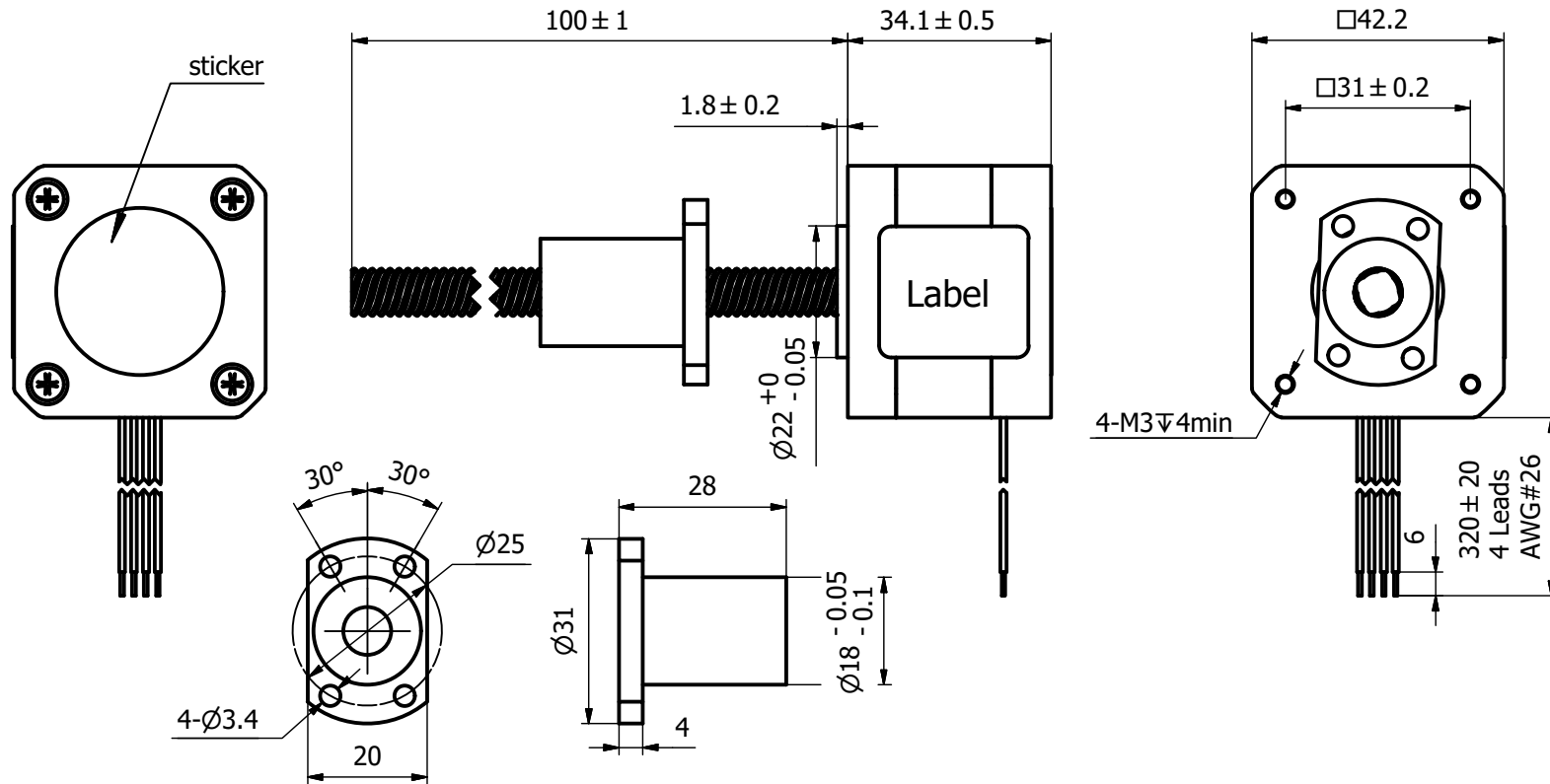


CE
RoHS

17E2110BS54-100
DINGS' MOTION
Work order
DATE REV00

REVISION			
REV.	DATE	DESCRIPTION	DRAWN BY



Motor's phase	2
Step angle	1.8°
Rated current/phase	1.0 A
Resistance/phase	3.8Ω±10%
Inductance/phase	5.0mH±20%
Linear travel per step	0.025mm/step
Ball screw diameter	Φ8.0mm
Ball screw lead	5.0mm
Grade	C7(KSS)
Insulation class	B
Insulation resistance	100MΩ(500VDC)
Heat rise	80°C
Motor weight	0.25 kg

Notes,
1.To maximize output force and life of linear actuators,
radial load on lead screws should be avoided or be kept at a minimum.

CUSTOMER		NOTICE TO PERSONS RECEIVING THIS DRAWING															
WIRING CHART		EXCITATION SEQUENCE				UNLESS OTHERWISE SPECIFIED ALL DIMENSIONS ARE IN MILLIMETERS AND TOLERANCES ARE AS BELOW PER ISO2768-ck.				DRAWN		QIN		DATE		2022/12/28	
		CW		→		LINEAR		ANGULAR		APPRVD		DATE					
		Red A+	+	-	0~3	±0.2	0~10	±1.5°	MODEL		17E2110BS54-100						
		Red/wht A-	-	+	3~6	±0.5	10~50	±1°									
		Green B+		+	6~30	±0.8	50~120	±30'									
		Grn/wht B-		-	30~120	±1.5	120~400	±15'									
CCW	←						SCALE						1: 1		REV		00