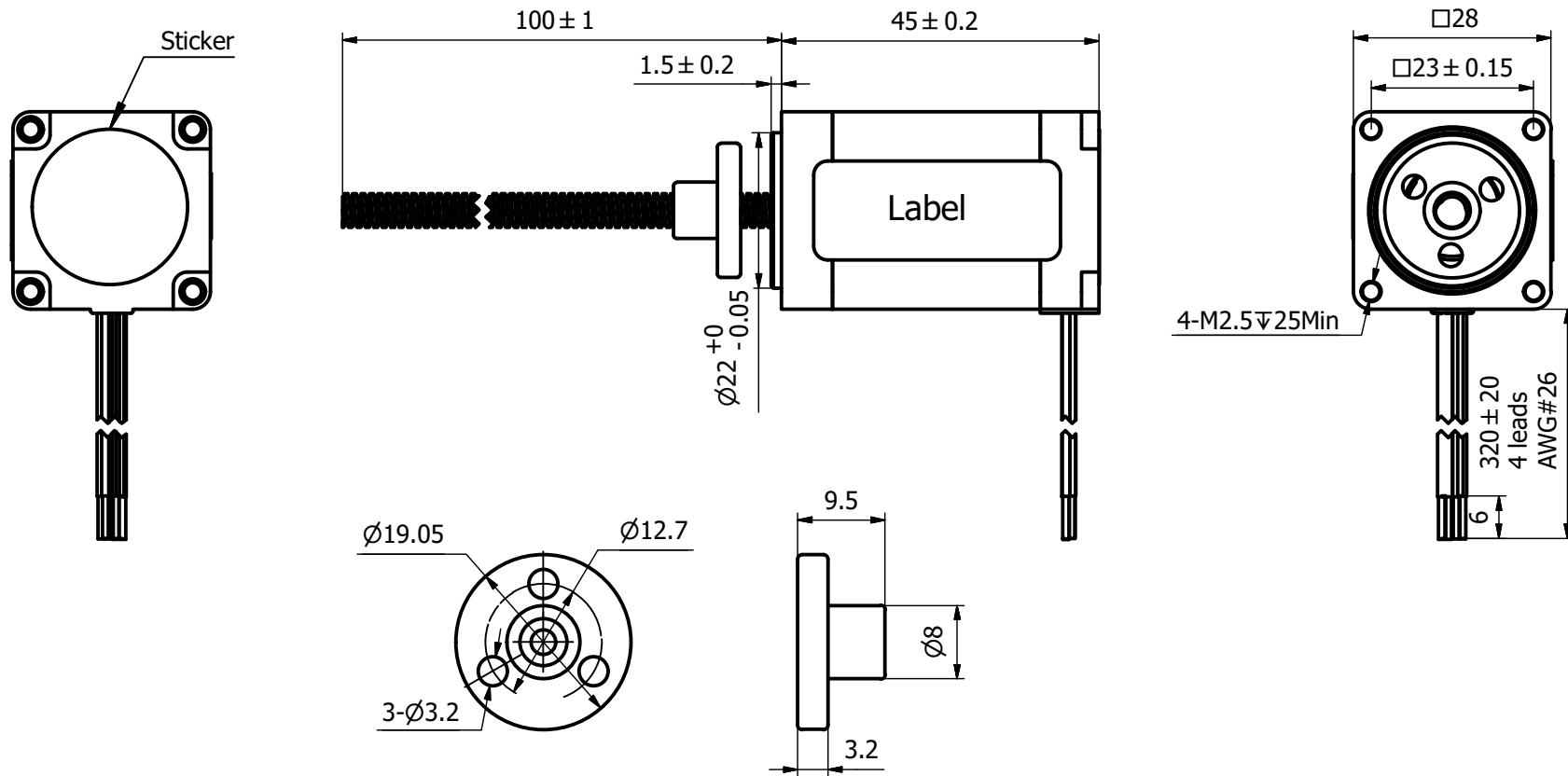


REVISION			
REV.	DATE	DESCRIPTION	DRAWN BY



Notes,
 1. To maximize output force and life of linear actuators, radial load on lead screws should be avoided or be kept at a minimum.

CUSTOMER		NOTICE TO PERSONS RECEIVING THIS DRAWING																																			
WIRING CHART		EXCITATION SEQUENCE				UNLESS OTHERWISE SPECIFIED ALL DIMENSIONS ARE IN MILLIMETERS AND TOLERANCES ARE AS BELOW PER ISO2768-ck.				DRAWN Alice DATE 2020/11/12		DINGS																									
		<table border="1"> <tr> <td>CW</td> <td colspan="3">→</td> </tr> <tr> <td>Red A+</td> <td>+</td> <td></td> <td>-</td> </tr> <tr> <td>Red/wht A-</td> <td>-</td> <td></td> <td>+</td> </tr> <tr> <td>Green B+</td> <td></td> <td>+</td> <td>-</td> </tr> <tr> <td>Grn/wht B-</td> <td></td> <td>-</td> <td>+</td> </tr> <tr> <td>CCW</td> <td colspan="3">←</td> </tr> </table>				CW	→			Red A+	+				-	Red/wht A-	-		+	Green B+		+	-	Grn/wht B-		-	+	CCW	←			LINEAR		ANGULAR		APPRVD	
CW	→																																				
Red A+	+		-																																		
Red/wht A-	-		+																																		
Green B+		+	-																																		
Grn/wht B-		-	+																																		
CCW	←																																				
		0~3		±0.2		0~10		±1.5°		MODEL 11E22-100		SIZE A3 SHEET 1 OF 1																									
		3~6		±0.5		10~50		±1°				SCALE 1: 1																									
		6~30		±0.8		50~120		±30'				REV 00																									
		30~120		±1.5		120~400		±15'																													