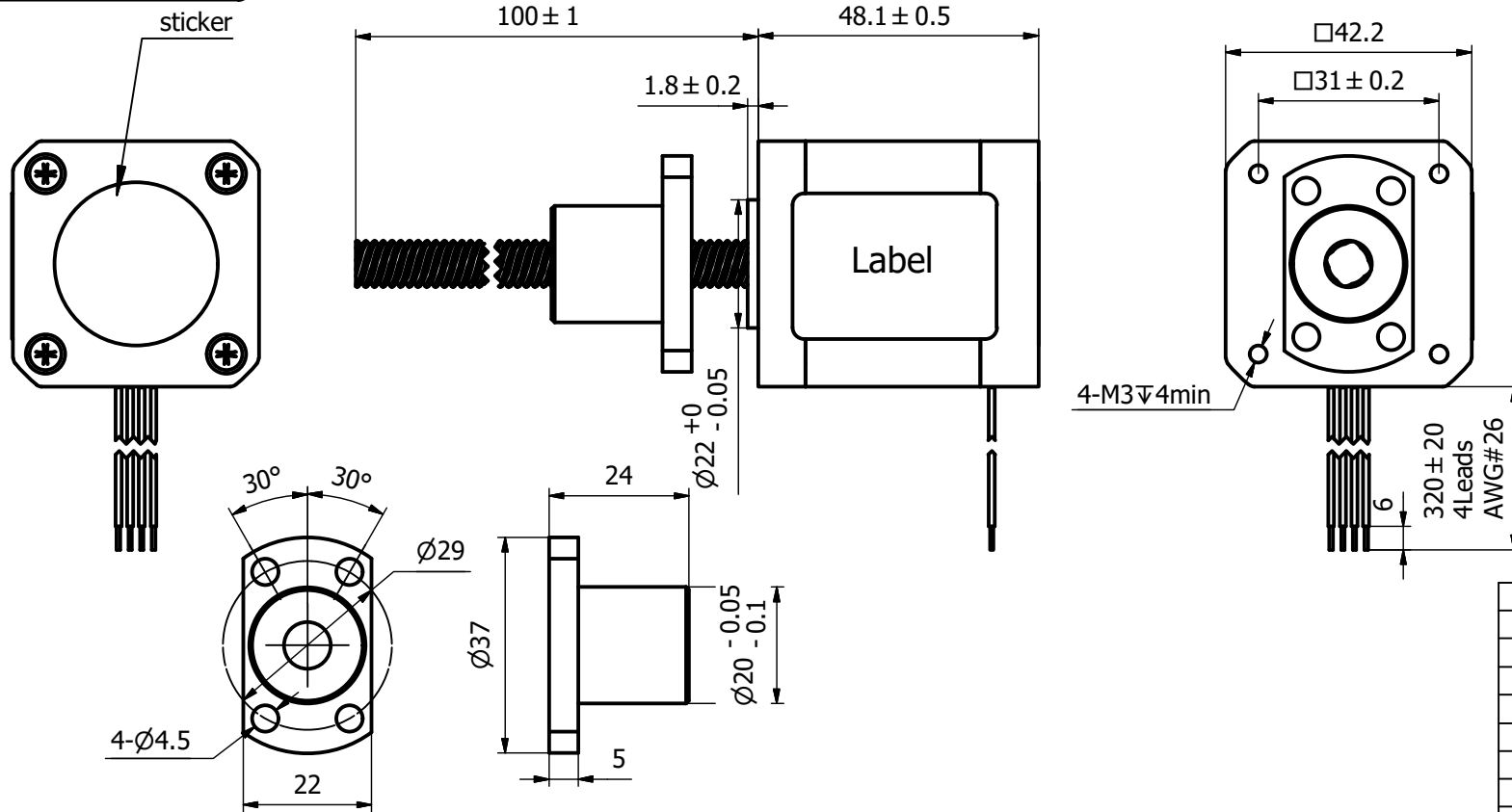


CE
RoHS

17E2225BS24-100
DINGS' MOTION
Work order
DATE REV00

REVISION			
REV.	DATE	DESCRIPTION	DRAWN BY



Motor's phase	2
Step angle	1.8°
Rated current/phase	2.5 A
Resistance/phase	1.0Ω±10%
Inductance/phase	1.8mH±20%
Linear travel per step	0.01mm/step
Ball screw diameter	∅8.0mm
Ball screw lead	2.0mm
Grade	C7(KSS)
Insulation class	B
Insulation resistance	100MΩ(500VDC)
Heat rise	80°C
Motor weight	0.386 kg

Notes,
1.To maximize output force and life of linear actuators,
radial load on lead screws should be avoided or be kept at a minimum.

CUSTOMER		NOTICE TO PERSONS RECEIVING THIS DRAWING														
WIRING CHART		EXCITATION SEQUENCE				UNLESS OTHERWISE SPECIFIED ALL DIMENSIONS ARE IN MILLIMETERS AND TOLERANCES ARE AS BELOW PER ISO2768-ck.				DRAWN	QIN	DATE	2022/12/28	DINGS		
		CW	→			LINEAR		ANGULAR		APPRVD		DATE				
		Red A+	+		-	0~3	±0.2	0~10	±1.5°	MODEL	17E2225BS24-100		SIZE	A3	SHEET	1 OF 1
		Red/wht A-	-		+	3~6	±0.5	10~50	±1°				SCALE	1: 1	REV	00
		Green B+		+	-	6~30	±0.8	50~120	±30'							
		Grn/wht B-		-	+	30~120	±1.5	120~400	±15'							