

VER 1.2

Accessory Manual

Integrated Stepper Electronics

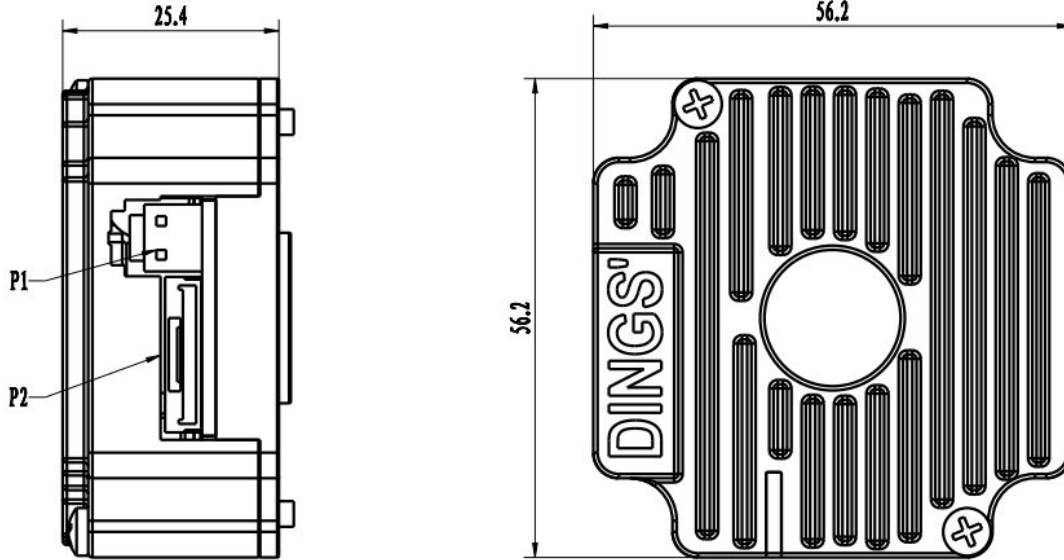
Table of Contents

- 1. DS-OL57-ISC (DS-OL57-IRS4 / DS-OL57-ICAO).....1
 - 1.1 Dimensional Drawing.....1
 - 1.2 Accessories.....1
 - (1) Power Extension Cable P1.....1
 - (2) I/O Control Cable P2.....2
- 2. DS-OL42-IPD-T.....3
 - 2.1 Dimensional Drawing.....3
 - 2.2 Accessories.....3
 - (1) Power / Control Cable P1.....3
- 3. DS-OL42-IPD-ICAO (DS-OL42-IPD / DS-OL42-IRS4).....4
 - 3.1 Dimensional Drawing.....4
 - 3.2 Accessories.....4
 - (1) Power Extension Cable P1.....4
 - (2) I/O Control Cable P2.....5
- 4. DS-CL28-IRS4 (DS-CL28-IPD).....6
 - 4.1 Dimensional Drawing.....6
 - 4.2 Accessories.....6
 - (1) I/O Cable P1.....6

1. DS-OL57-ISC (DS-OL57-IRS4 / DS-OL57-ICAO)

1.1 Dimensional Drawing

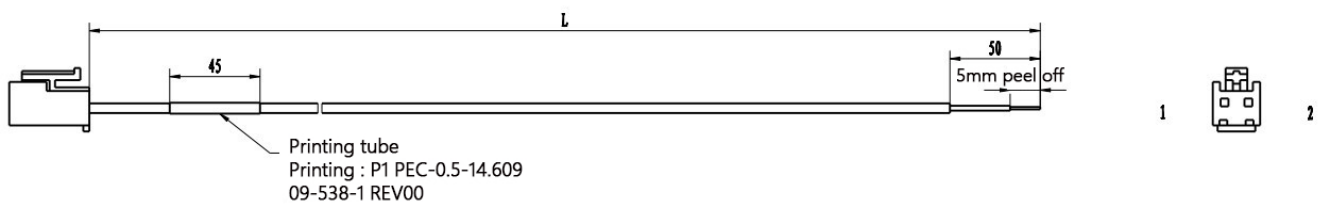
Unit : mm



1.2 Accessories

(1) Power Extension Cable P1

Ordering Model	L (mm)	Item Number	Ver. Number
PEC-0.5-14.609	500	09-538-1	REV 00
PEC-1.0-14.609	1000	09-538-2	REV 00
PEC-2.0-14.609	2000	09-538-3	REV 00



Interface Definition

PIN	DS-OL57-ISC DS-OL57-ICAO DS-OL57-IRS4	Color
1	GND	Black
2	V+	Red

(2) I/O Control Cable P2

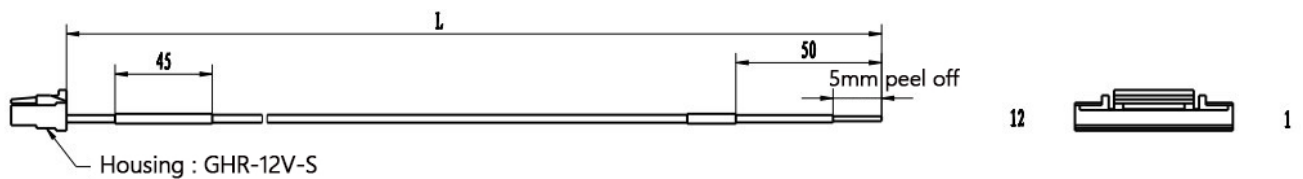
Ordering Model	L(mm)	Item Number	Ver. Number
I/OEC-0.5-14.551	500	09-505	REV 01
I/OEC-1.0-14.551	1000	09-505-1	REV 01
I/OEC-2.0-14.551	2000	09-505-2	REV 01

Connector Model : GHR-12V-S JST

Terminal Model : SSSL-002T-P0.2

Supplier : JST

Wire Harness : UL1571 AWG 30#

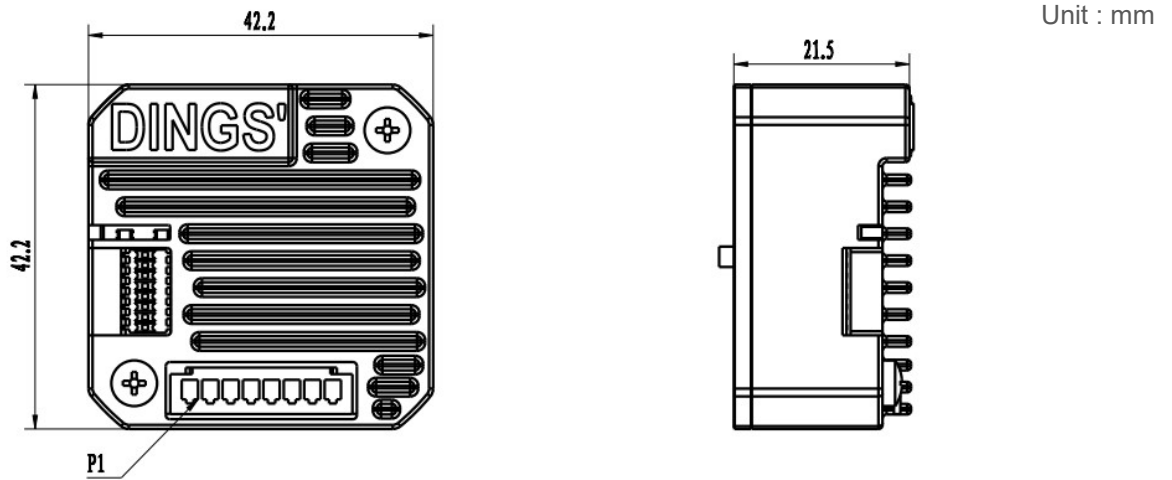


Interface Definition

PIN	DS-OL57-ISC	DS-OL57-IRS4	DS-OL57-ICAO	Color
1	485-A	IN1 +	485-A	Black
2	485-B	IN1 -	485-B	Red
3	IN1	IN2 +	IN1	Green
4	IN2	IN2 -	IN2	Brown
5	IN_COM	COMIN	IN_COM	White
6	IN3	IN3	IN3	Gray
7	NC	IN4	IN4	Yellow
8	NC	OUT+	OUT+	Orange
9	NC	OUT-	OUT-	Purple
10	AIN- (0V)	485-GND	CAN_GND	Blue
11	IN (AIN)	485-A	CANL	Pink
12	AIN+ (5V)	485-B	CANH	Light Blue

2. DS-OL42-IPD-T

2.1 Dimensional Drawing



Unit : mm

2.2 Accessories

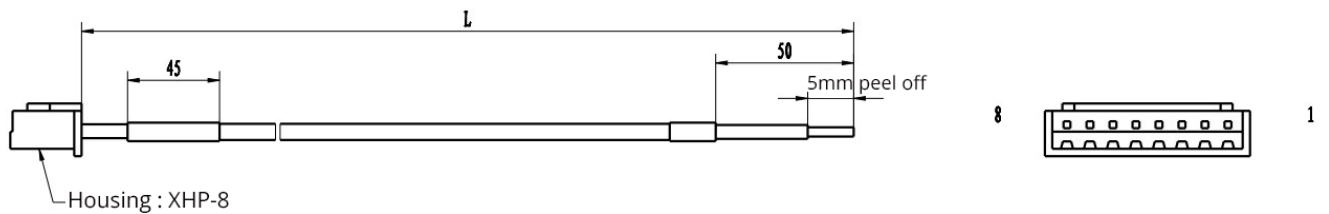
(1) Power / Control Cable P1

Ordering Model	L (mm)	Item Number	Ver. Number
PEC-0.5-14.562	500	09-519	REV 01
PEC-1.0-14.562	1000	09-519-1	REV 01
PEC-2.0-14.562	2000	09-519-2	REV 01

Connector Model : XHP-8 Supplier : JST

Terminal Model : SXH-001T-P0.6 Supplier : JST

Wire Harness : UL1007 AWG 26#

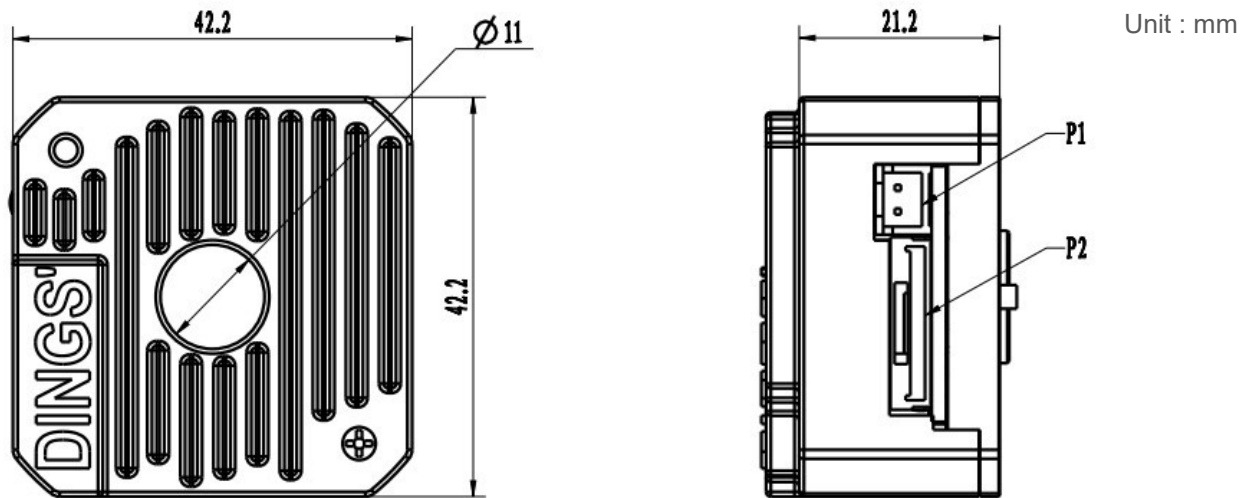


Interface Definition

PIN	DS-OL42-IPD-T	Color
1	FREE-	White
2	FREE+	Brown
3	STEP-	Blue
4	STEP+	Green
9	DIR-	Yellow
10	DIR+	Orange
11	V-	Black
12	V+	Red

3. DS-OL42-ICAO (DS-OL42-IPD / DS-OL42-IRS4)

3.1 Dimensional Drawing



3.2 Accessories

(1) Power Extension Cable P1

Ordering Model	L (mm)	Item Number	Ver. Number
PEC-0.5-14.551	500	09-504	REV 01
PEC-1.0-14.551	1000	09-504-1	REV 01
PEC-2.0-14.551	2000	09-504-2	REV 01

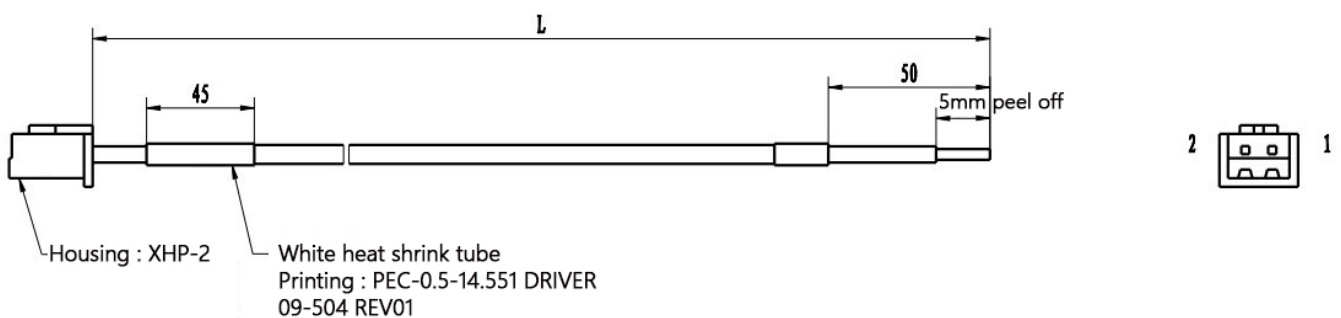
Connector Model : XHP-2

Supplier : JST

Terminal Model : SXH-001T-P0.6

Supplier : JST

Wire Harness : UL1061 AWG 26#



Interface Definition

PIN	DS-OL42-ICAO DS-OL42-IPD DS-OL42-IRS4	Color
1	+Vdc	Red
2	GND	Black

(2) I/O Control Cable P2

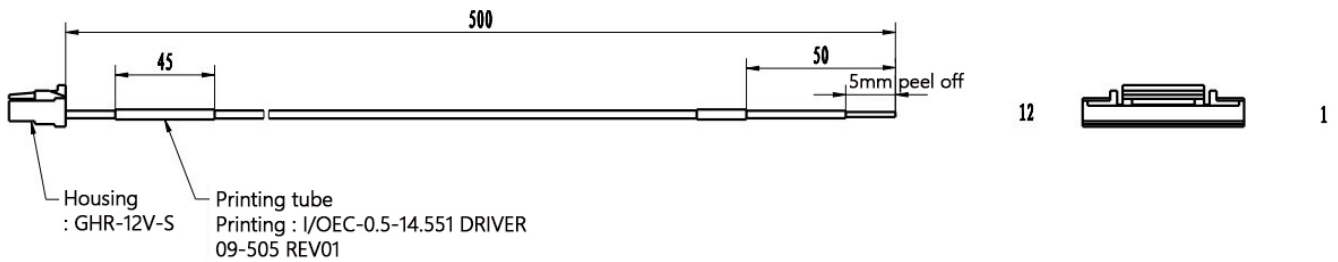
Ordering Model	L (mm)	Item Number	Ver. Number
I/OEC-0.5-14.551	500	09-505	REV 01
I/OEC-1.0-14.551	1000	09-505-1	REV 01
I/OEC-2.0-14.551	2000	09-505-2	REV 01

Connector Model : GHR-12V-S JST

Terminal Model : SSHL-002T-P0.2

Supplier : JST

Wire Harness : UL1571 AWG 30#

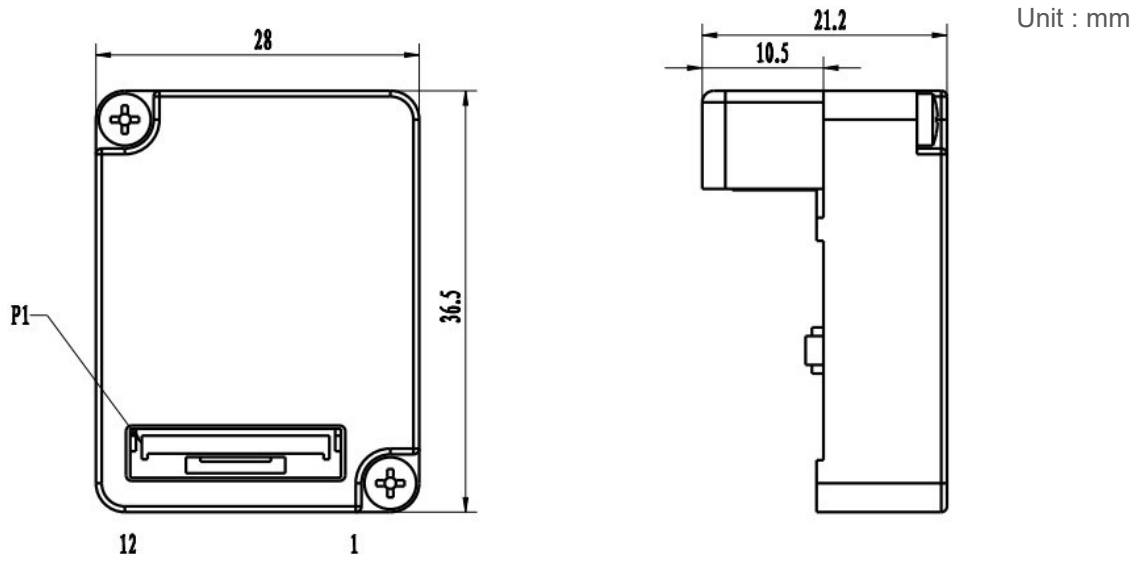


Interface Definition

PIN	DS-OL42-ICAO	DS-OL42-IPD	DS-OL42-IRS4	Color
1	RS485 +	STEP +	IN1 +	Red
2	RS485 -	STEP -	IN1 -	Orange
3	IN1	DIR +	IN2 +	Yellow
4	IN2	DIR -	IN2 -	Green
5	COMIN	COMIN	COMIN	Black
6	IN3	IN3	IN3	Blue
7	IN4	IN4	IN4	Purple
8	OUT+	OUT+	OUT+	Brown
9	OUT-	OUT-	OUT-	Gray
10	CAN_GND	RS485 GND	RS485 GND	Light Orange
11	CANL	RS485 +	RS485 +	White
12	CANH	RS485 -	RS485 -	Transparent

3. DS-CS28-IRS4 (DS-CL28-IPD)

3.1 Dimensional Drawing



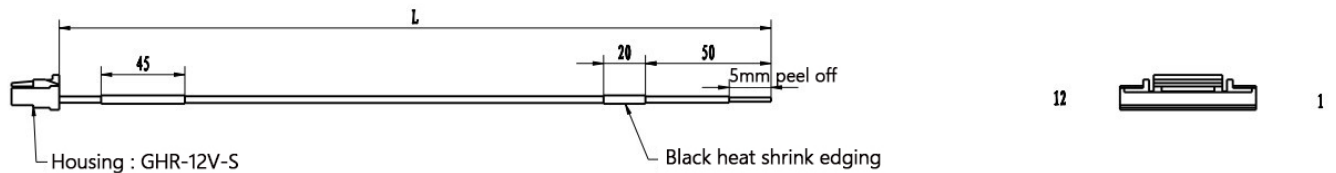
3.2 Accessories

(1) I/O Cable P1

Ordering Model	L (mm)	Item Number	Ver. Number
IEC-1.0-14.582	1000	09-558-1	REV 00
IEC-3.0-14.582	3000	09-558-2	REV 00
IEC-5.0-14.582	5000	09-558-3	REV 00

Connector Model : GHR-12V-S

Wire Harness : Inner core 10P*26AWG, with shielding layer,
supporting 200W bending times, with drag chain



Interface Definition

PIN	DS-CL28-IRS4	DS-CL28-IPD	Color
1	GND	GND	Black
2	V +	V +	Red
3	485-A	485-A	Gray
4	485-B	485-B	White
5	OUT-	OUT-	Brown
6	OUT+	OUT+	Orange
7	IN3 -	FREE -	Blue
8	IN3 +	FREE +	Purple
9	IN2 -	DIR -	Pink
10	IN2 +	DIR +	Green
11	IN1 -	STEP -	Yellow
12	IN1 +	STEP +	Light Blue



+86-0519-8517 7825



+86-0519-8517 7807



No. 2850 Luheng Road, Changzhou Economic
Development Zone, Jiangsu Province, China



www.dingsmotion.com

International Customer

Person in Charge :

Daniel Jang

daniel@dingsmotion.com

No. 2850 Luheng Road, Changzhou
Economic Development Zone,
Jiangsu Province, China

+86-519-85177825, 85177826

North America Customer

Person in Charge :

Nicolas Ha

sales@dingsmotionusa.com

335 Cochrane Circle Morgan Hill,
CA 95037

+1-408-612-4970

China Customer

Person in Charge :

Sweet Shi

info@dingsmotion.com

No. 2850 Luheng Road, Changzhou
Economic Development Zone,
Jiangsu Province, China

+86-519-85177825, 85177826